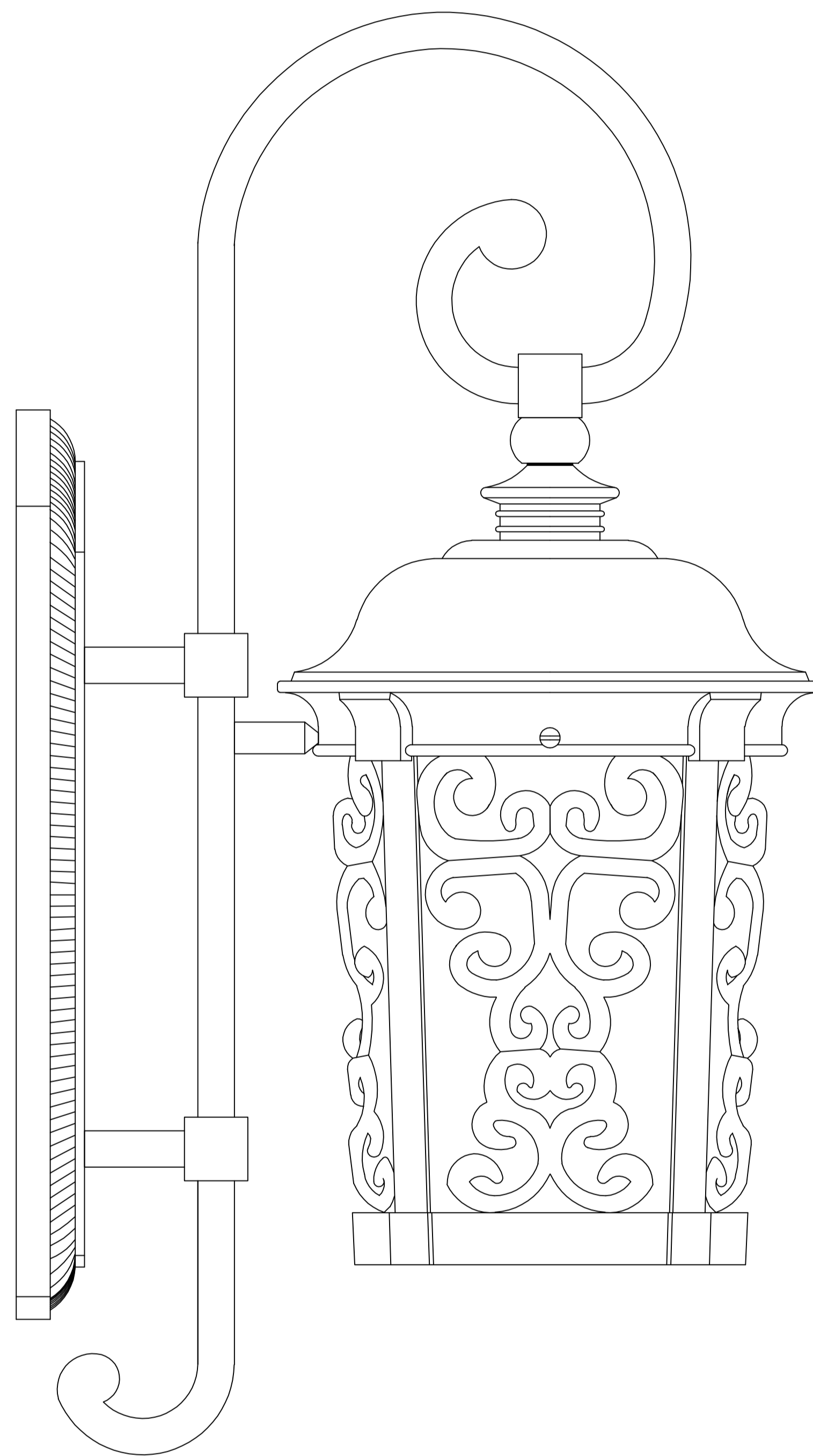




PRODUCT NAME: Whisper Dark Sky  
ITEM NUMBER: 55394

Please consult your electrician for hanging fixture and wiring.



To prevent water intrusion, caulk around back-plate where fixture meets the wall using outdoor silicone sealant

This fixture is designed to dim with an Electronic Low Voltage dimmer. Dimming levels will vary by dimmer. Below is a list of Recommended Dimmers:

- Lutron DVELV-330P
- Lutron SAELV-153P
- Leviton 6674-POW
- Legrand DRD4
- Legrand RH703PTU

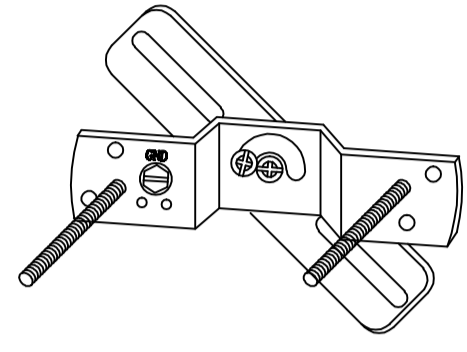
Due to inrush current, wattage should not exceed 150 Watts of product for a 600 Watt dimmer.

8W LED

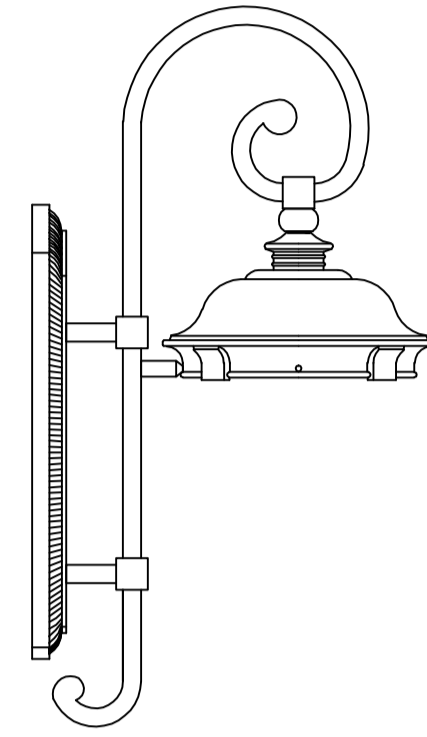
MADE IN CHINA

**PRODUCT NAME:** Whisper Dark Sky  
**ITEM NUMBER:** 55394

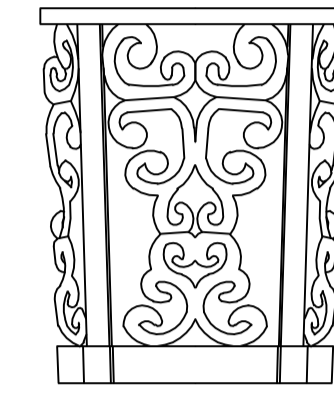
**IMPORTANT:** Turn off the power at the main fuse or circuit breaker box before starting installation.



**Bracket (A)**

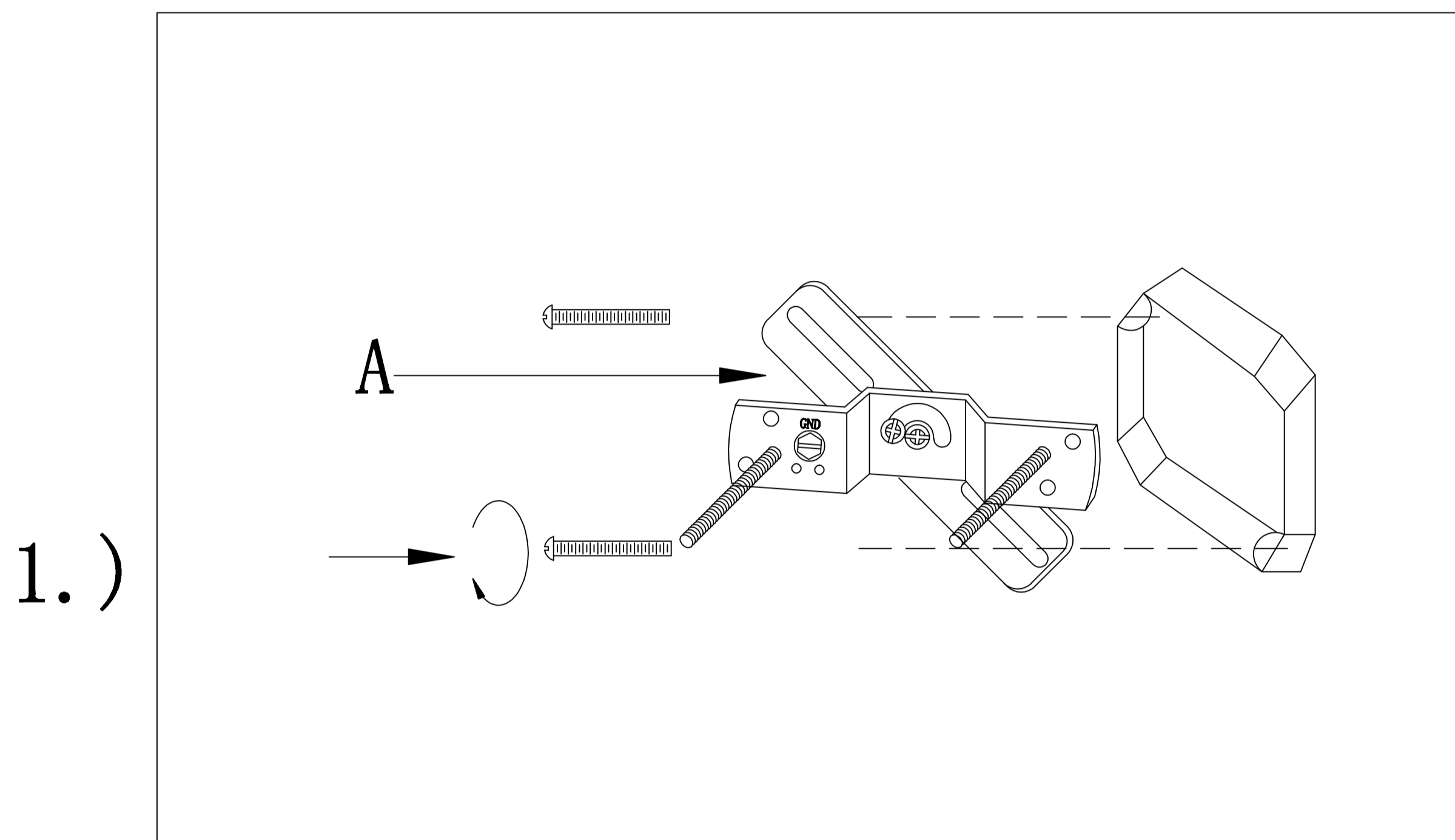


**Fixture (B)**

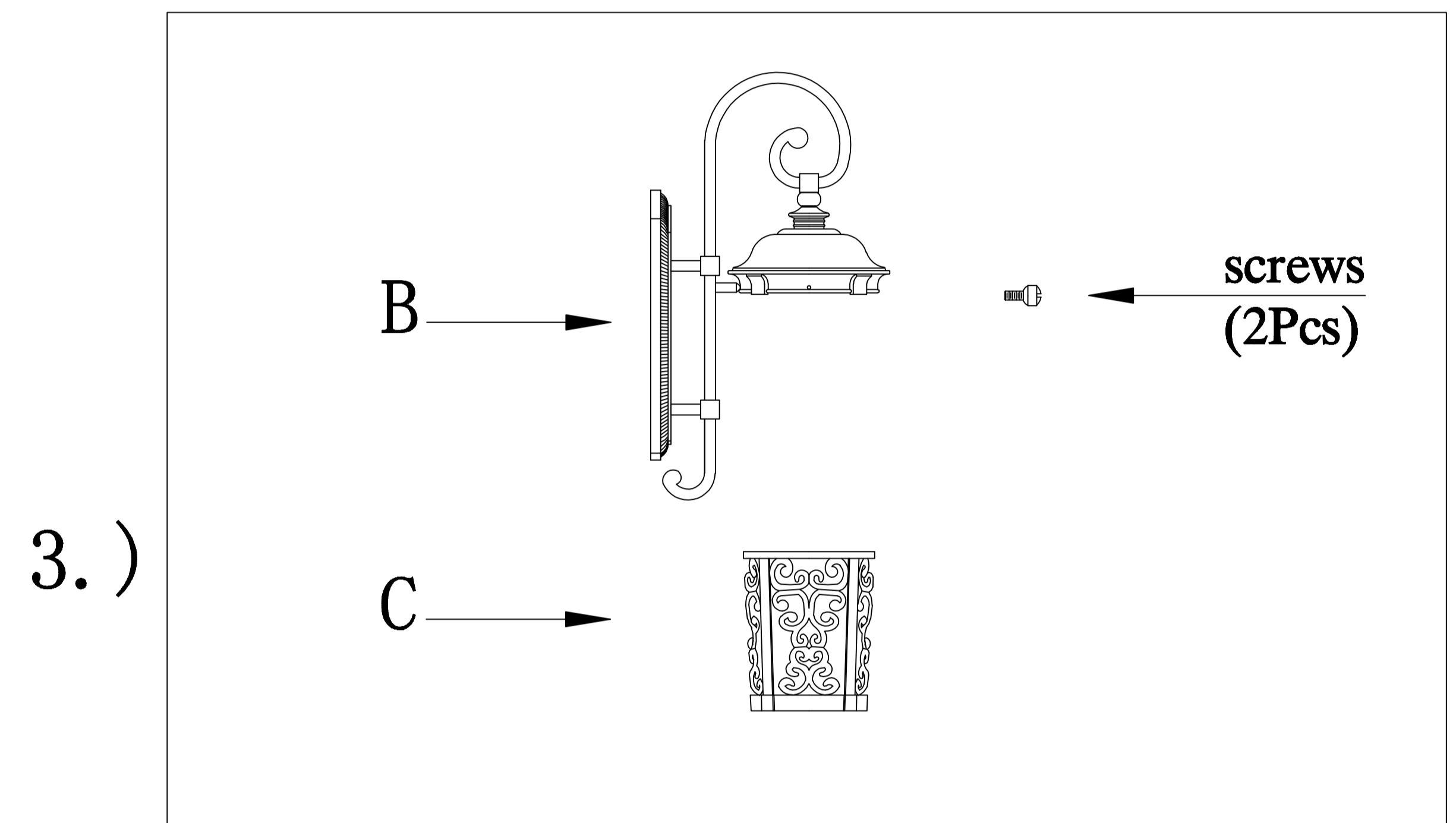


**Cage (C)**

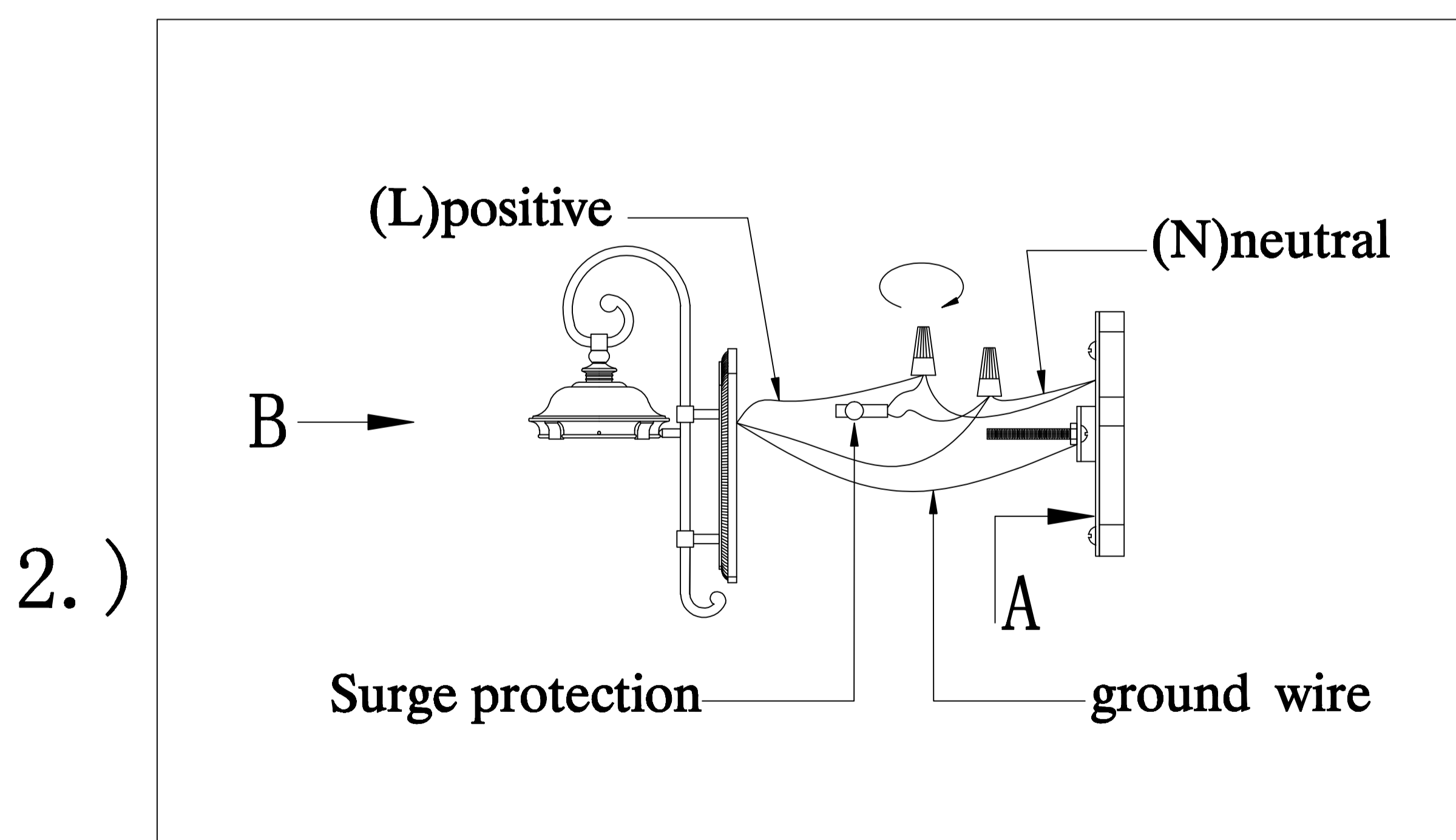
**Locate all hardware & components before discarding packaging**



**Step.1:** Remove mounting bracket from fixture(B) and install to electrical box. then wire fixture to wires in outlet box. Copper wire is for Ground.



**Step.3:** Install the cage(C) to the fixture(B) using screws.



**Step.2:** Attach back plate to mounting bracket and tighten ball nuts so fixture meets wall. Caulk fixture where back plate meets the wall with silicone sealant.

**Cleaning & Care:**  
Clean with soft cloth and a mild detergent.  
Do not use abrasive cleaner.