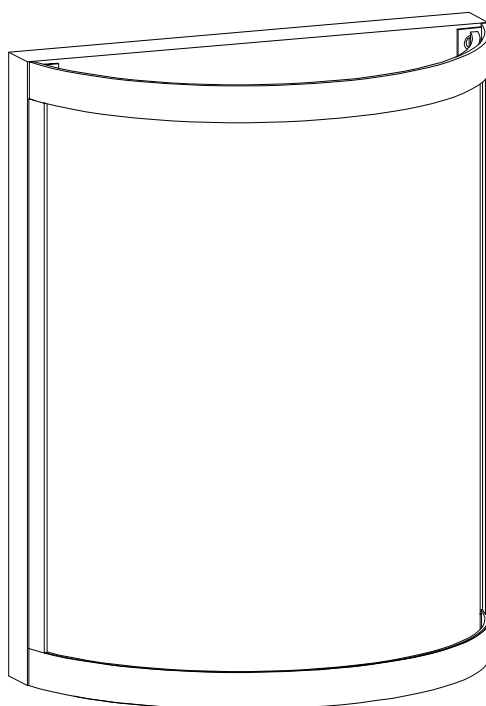




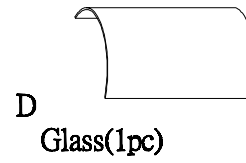
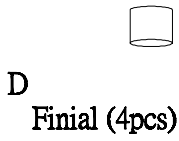
PRODUCT NAME: Sentinel 1-Light Wall Sconce
ITEM NUMBER: 25259

Please consult your electrician for hanging fixture and wiring.

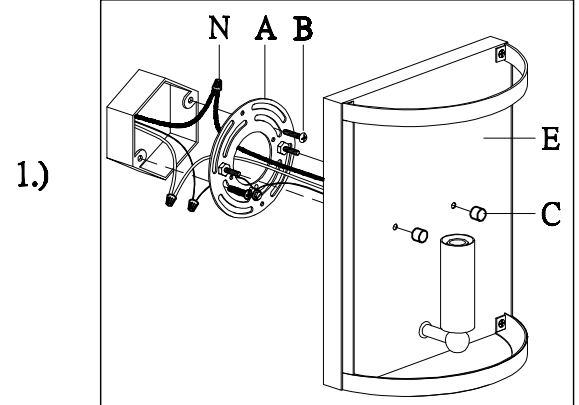
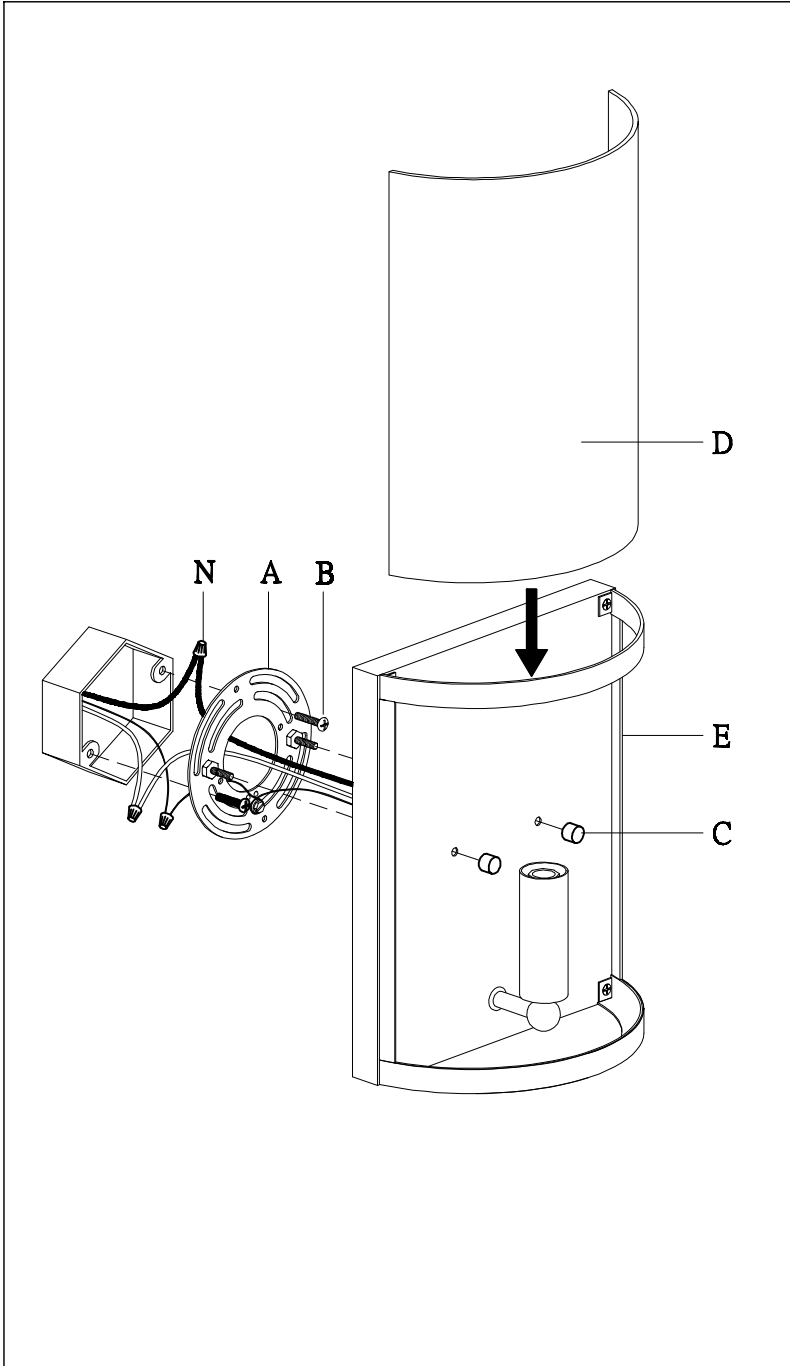


Bulb(not included): 1-60 Watt Candelabra Base Bulb

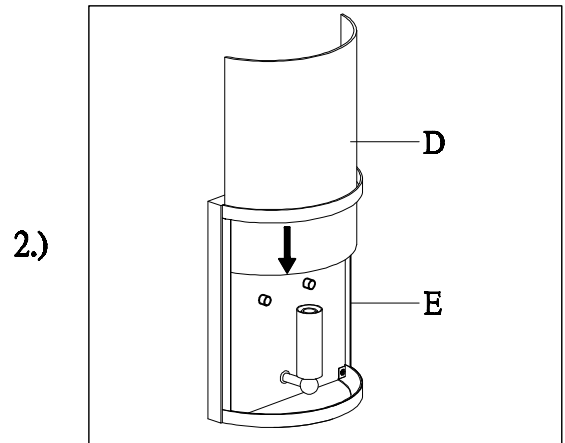
IMPORTANT: Turn off the power at the main fuse or circuit breaker box before starting installation



Locate all hardware & components before discarding packaging



1.) Remove mounting bracket (A) from fixture and install to electrical box. Then wire fixture to wires in outlet box. Copper wire is for Ground. Attach back plate to mounting bracket(A) and tighten by finial (C) so fixture meets wall.



2.) Insert glass(D) into metal frame(E)

Cleaning & Care:

Clean with soft cloth and a mild detergent. Do not use abrasive cleaner.