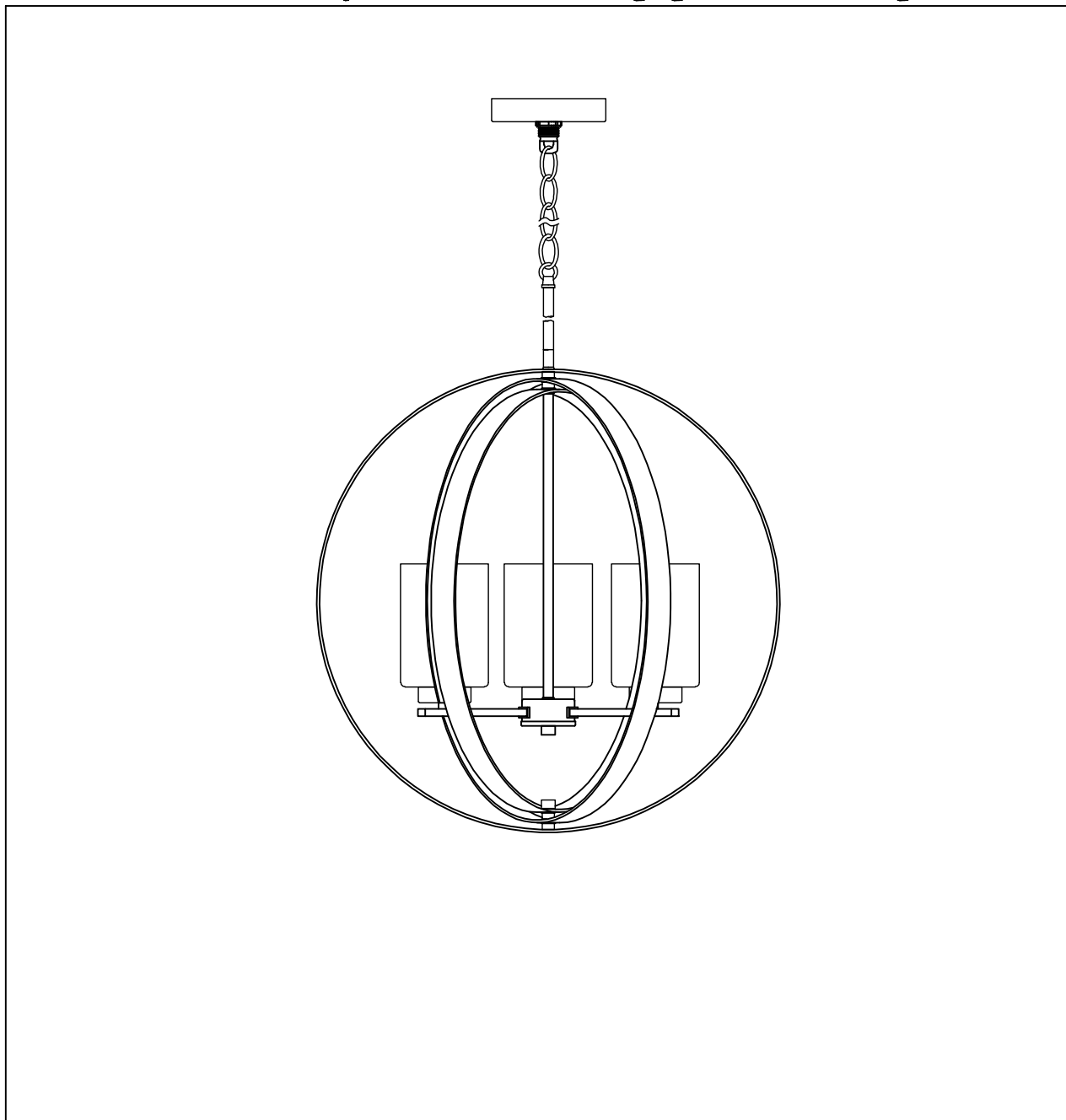




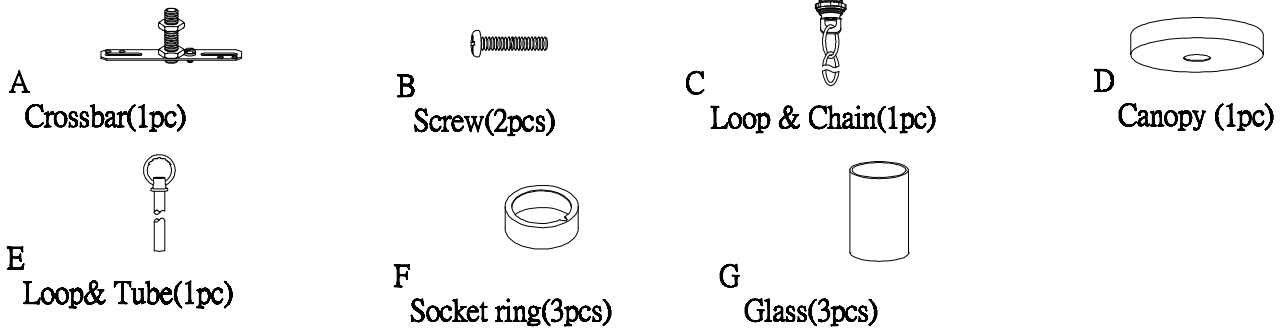
**PRODUCT NAME:** Sentinel 3-Light Pendant  
**ITEM NUMBER:** 25254

**Please consult your electrician for hanging fixture and wiring.**

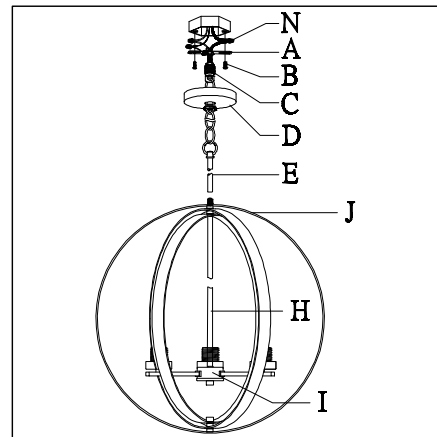
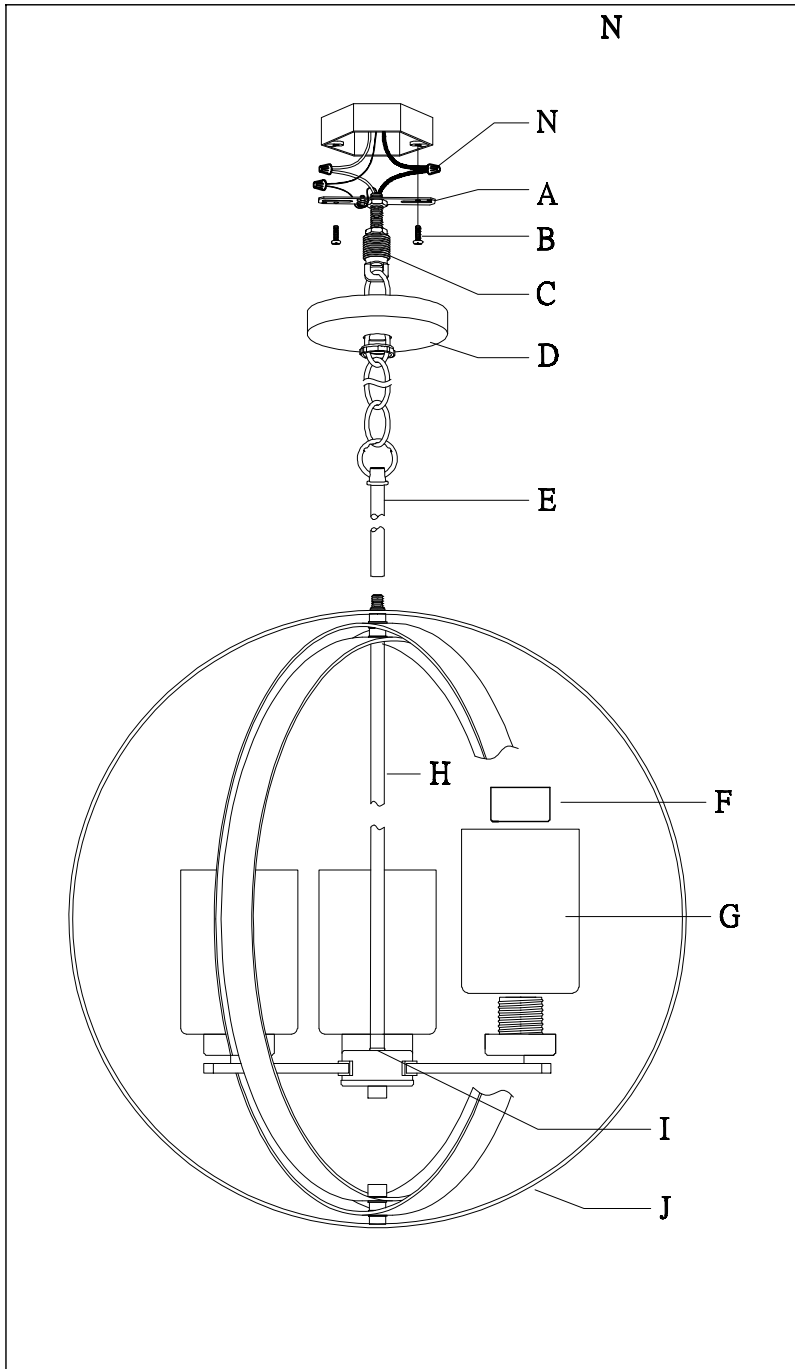


**Bulb(not included): 3-60 Watt Medium Base Bulbs**

**IMPORTANT: Turn off the power at the main fuse or circuit breaker box before starting installation**

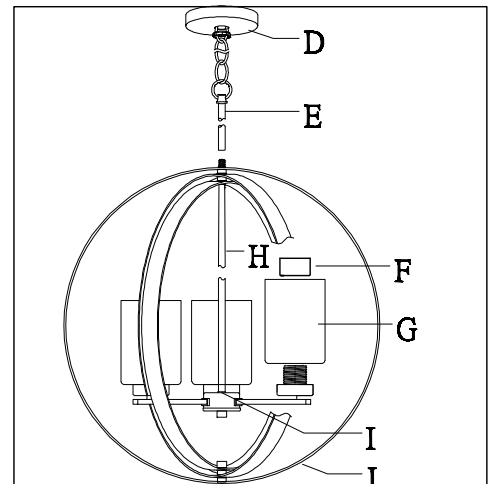


**Locate all hardware & components before discarding packaging**



Step1.

Remove crossbar from fixture and install to electrical box.  
 Attach appropriate amount of chain to loop to achieve desired mounting height.  
 Thread wire through every 3rd loop of chain.  
 Remove ring from loop and slide down chain.  
 Place canopy onto chain and let slide to top of fixture. Install nipple and cross bar into top of chain loop. Wire fixture to wires in outlet box. Copper wire is for Ground.  
 Pull canopy through screw ring up chain to ceiling and tighten securely.



Step2. Adjust the flat metal by level at first, put the glass(G) on the cup, then secured by socket ring(F)

**Cleaning & Care:**

Clean with soft cloth and a mild detergent.  
 Do not use abrasive cleaner.