

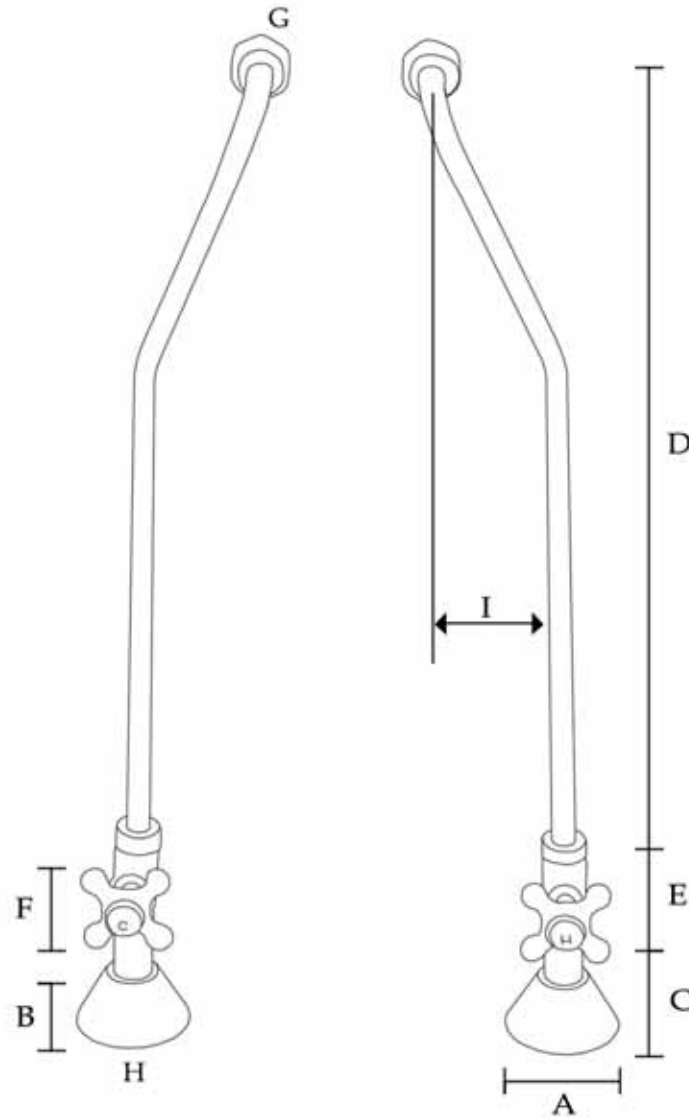


MAIDSTONE

www.MaidstoneSupply.com

Tub Supply Lines

Part No:123DO1



(A) Flange: 2-1/2" OD	(D) Tube: 22-3/4" L	(G) Connection to the faucet: 3/4"; 14 threads/in.
(B) Flange: 1-1/4" H	(E) Valve: 1-3/4" L	(H) Connection to the floor: 1/2" male ; 14 threads/in.
(C) 1/2" NPT Nipple: 3" L	(F) Valve Handle: 2-1/2" L	(I) Width: 3"

Contact Maidstone for additional information and specifications. For complete warranty information and a list of dealers visit www.MaidstoneSupply.com. All products and specifications are subject to change without notice. Maidstone is not responsible for typographical and/or dimensional errors. Typographical errors are subject to correction.

Note: Rough-in dimensions may vary +/- 1/2" and are subject to change. No responsibility is assumed by Maidstone.