

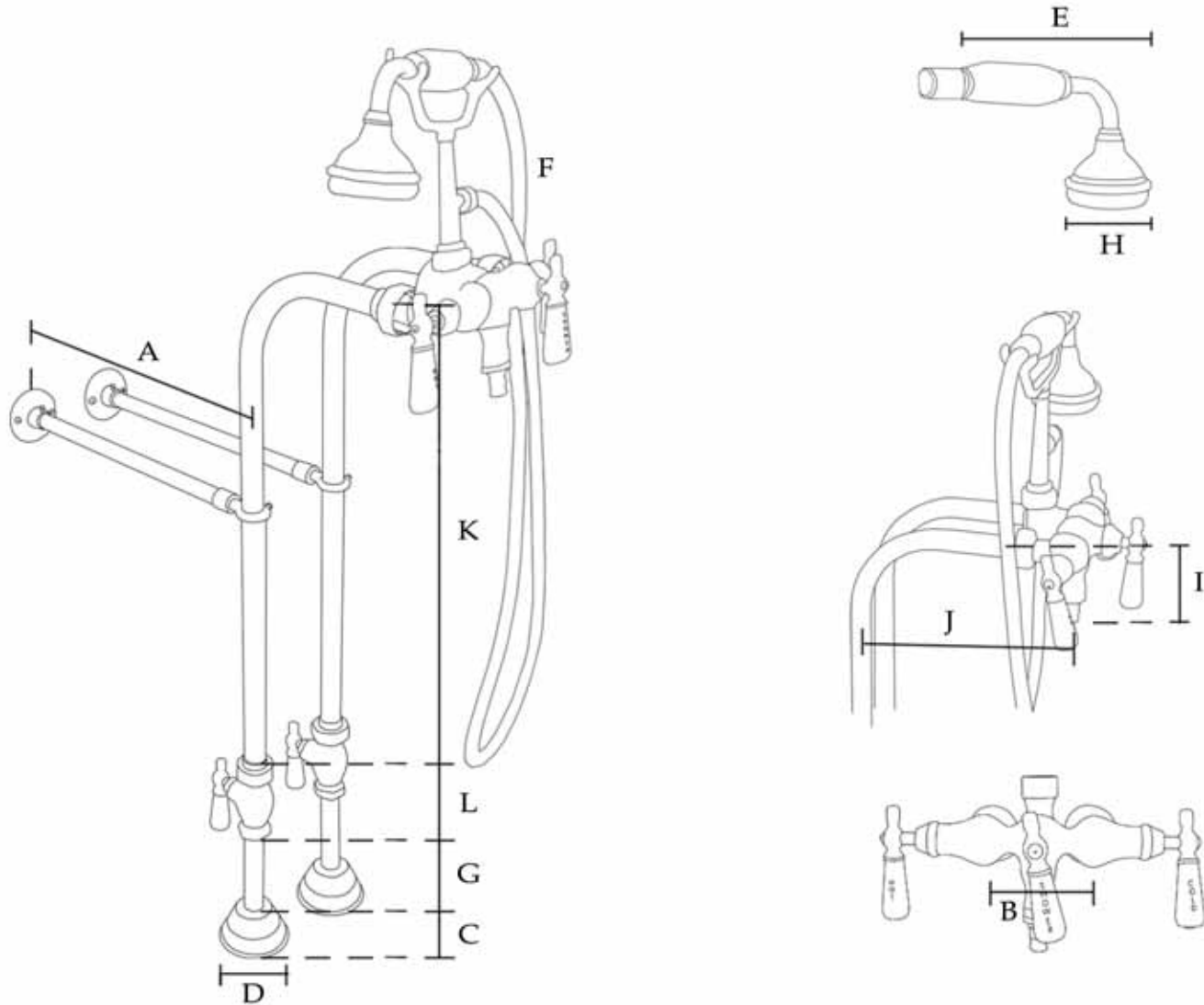


MAIDSTONE

www.MaidstoneSupply.com

Freestanding Downspout Clawfoot Tub Faucet

Part No:121-DSF4



(A) Brace: 13-1/2" L

(E) Hand Shower: 7" L

(I) Spout: 3-1/2" H

(B) Centers: 3-3/8" W

(F) Hose: 59-3/4" L

(J) Spout: 7-1/2" Reach

(C) Flange: 1-3/4" H

(G) Nipple: 7-1/2" L

(K) Tube: 19-1/2" L

(D) Flange: 3" OD

(H) Shower Head: 2-1/2" OD

(L) Valve: 3-3/4" H

Contact Maidstone for additional information and specifications. For complete warranty information and a list of dealers visit www.MaidstoneSupply.com. All products and specifications are subject to change without notice. Maidstone is not responsible for typographical and/or dimensional errors. Typographical errors are subject to correction.

Note: Rough-in dimensions may vary +/- 1/2" and are subject to change. No responsibility is assumed by Maidstone.