

VL18236

Specification Sheet

Vanity

PROJECT					
DATE				TYPE	
Voltage	Watt	LED Lumens	Delivered Lumens	Finish(es)	
120V	32W	2835lm	490lm*	BK - Black	Color Temp 3000K
120V	32W	2835lm	1550lm*	BN - Brushed Nickel	CRI(Ra) >90
120V	32W	2835lm	TBD	CH - Chrome	Dimming 100%-10%
120V	32W	2835lm	540lm*	GD - Gold	Rated Life 50,000 hours
120V	32W	2835lm	1060lm*	WH - White	

*Preliminary figures



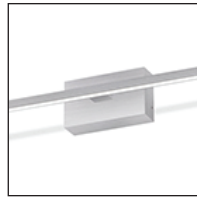
BK - Black



GD - Gold

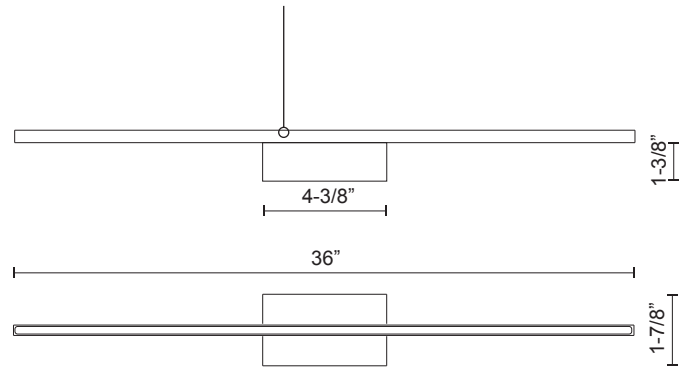


WH - White



BN - Brushed Nickel

Metal Finish
 BK - Black
 BN - Brushed Nickel
 CH - Chrome
 GD - Gold
 WH - White



Product Descriptions

Square profile linear aluminum with rectangular wall mount. Optional adapter plate for larger junction box. Inset opal polymeric diffuser. Finely textured plate or powder-coat finish.

Product Details

High system efficacy. Low total life cycle cost. ETL Listed.

5-years warranty.

Complete warranty terms located at:

www.kuzcolighting.com/warranty

Utilizes our LED Driver Light Engine.

LED Driver within canopy.

Down light distribution.

Dimmable with ELV or TRIAC dimmer (not included)

Custom options available.

Comments:

Canopy dimensions:
 L: 4-3/8"; W: 1-7/8"; H: 1-3/8"