

PD80718

Specification Sheet

Pendant Lamp



Product Descriptions

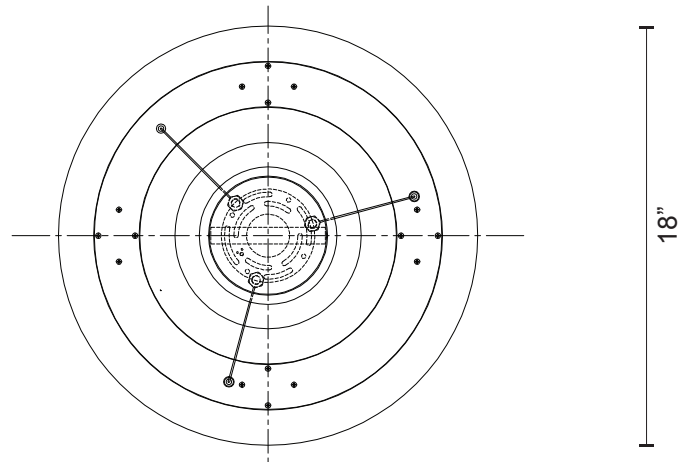
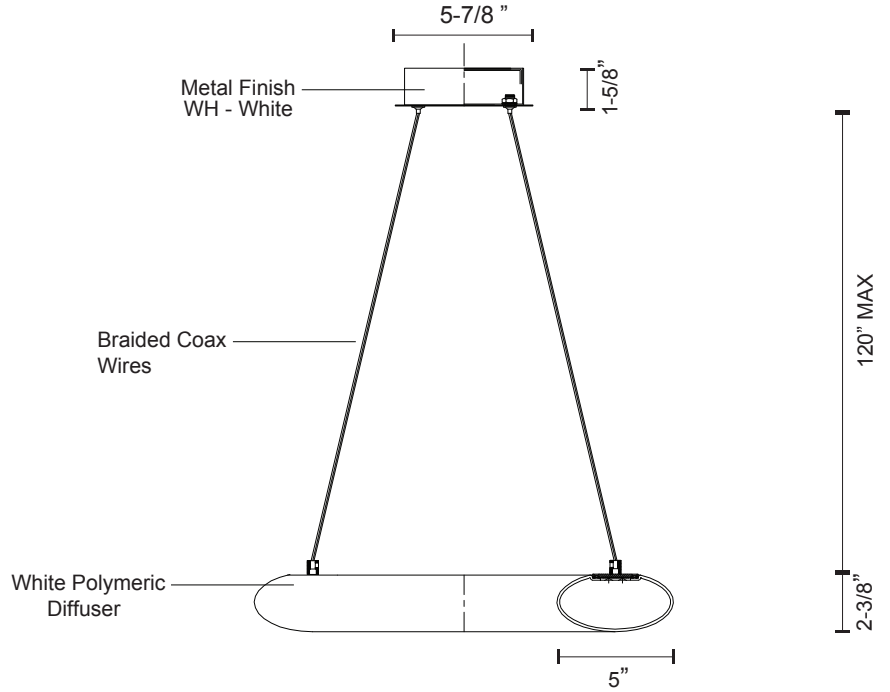
A radiant torus of bright, even illumination. Available in a variety of sizes and as either a pendant or flush mount, these halos of light adapt to any setting. Eternal and substantial.

Product Details

High system efficacy
 Low total life cycle cost
 ETL Listed
 5 Year fixture and LED warranty
 Complete warranty terms located at:
www.kuzcolighting.com/warranty
 DC Driver in canopy
 Available in white metal finish with a white polymeric diffuser. 120" Max wire length.
 Braided coax wires.
 Dimmable with Triac Dimmer (not included)
 Custom options available

PROJECT					V 1.0
DATE			TYPE		
Voltage	Watts	LED Lumens	Delivered Lumens	Finish(es)	Color Temp 3000K CRI (Ra) >90 Dimming 100% - 10% Rated Life 50,000 hours
120V	25W	2500lm	1800lm	WH - White	
DC LED DRIVER INFO		Watt	Voltage	Current	
		28W MAX	30-40V	700 mA	

*Preliminary figures



Fixture Weight: 5.3lb

Canopy dimensions:
 D: 5-7/8" H:1-5/8"

Comments: