

PD19359

Specification Sheet

Pendant



BK - Black



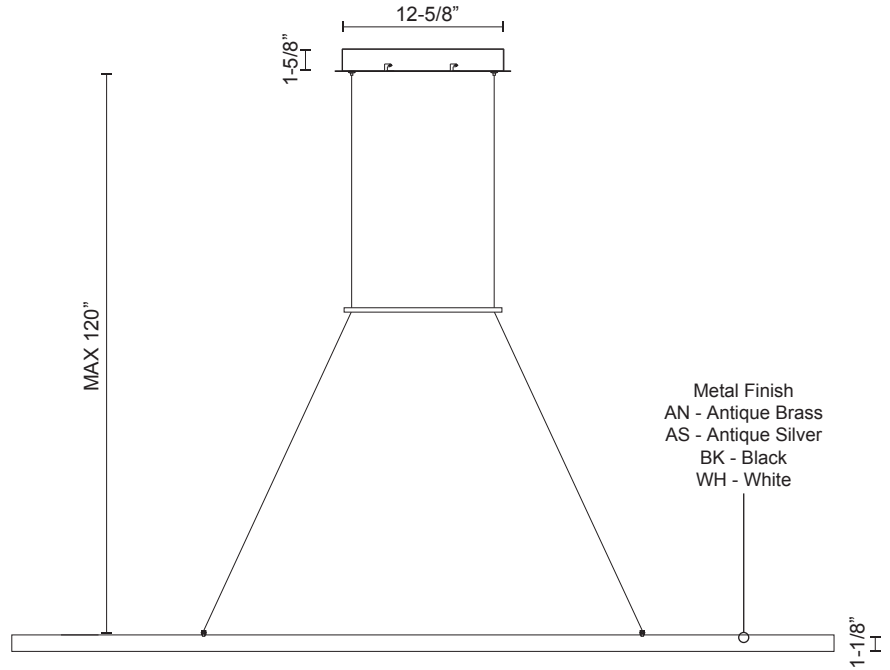
WH - White

AS - Antique Silver

AN - Antique Brass

PROJECT					
DATE				TYPE	
Voltage	Watt	LED Lumens	Delivered Lumens	Finish(es)	
120V	81W*	7290lm*	3698lm*	AN - Antique Brass	Color Temp 3000K
120V	81W*	7290lm*	3698lm*	AS - Antique Silver	CRI(Ra) >90
120V	81W*	7290lm*	3698lm*	BK - Black	Dimming 100%-10%
120V	81W*	7290lm*	3698lm*	WH - White	Rated Life 50,000 hours

*Preliminary figures



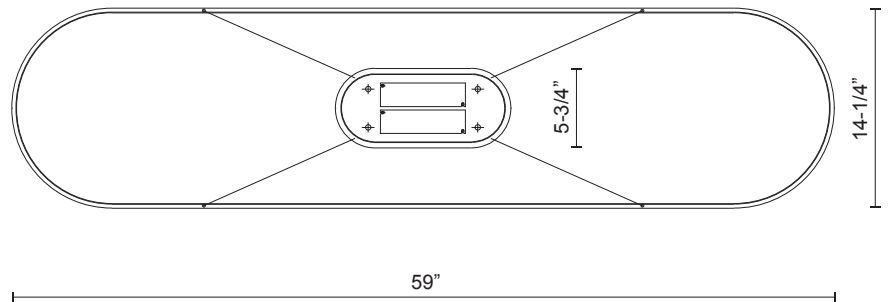
Metal Finish
 AN - Antique Brass
 AS - Antique Silver
 BK - Black
 WH - White

Product Descriptions

Extruded rectangular aluminum rolled into stadium shape. Matte powder-coat or plated brushed finish. Flexible silicon opal diffuser

Product Details

- High system efficacy. Low total life cycle cost. ETL Listed.
- 5-years warranty.
- Complete warranty terms located at: www.kuzcolighting.com/warranty
- Utilizes our LED Driver Light Engine.
- LED Driver within canopy.
- Up and Down light distribution.
- Max. cable length of 120".
- Dimmable with ELV or TRIAC dimmer (not included)
- Custom options available



Comments:

Canopy dimensions:
 L: 12-5/8", W: 5-3/4", H: 1-5/8"