

# CERCHIO CH87932

## PENDANTS

PROJECT



CH87932-BG  
Brushed Gold



CH87932-BK  
Black



CH87932-WH  
White

### SPECIFICATION DETAILS

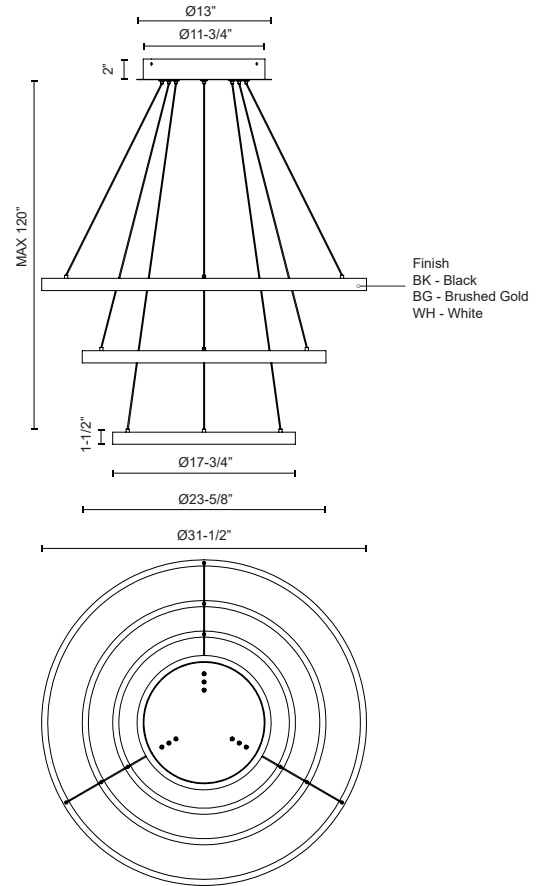
<b>Fixture Dimensions</b>	D31-1/2" x H1-1/2"
<b>Light Source</b>	LED with DC Driver
<b>Wattage</b>	188W
<b>Total Lumens</b>	14150lm
<b>Delivered Lumens</b>	BG-5170lm*; BK-5170lm*; WH-6950lm*;
<b>Voltage</b>	120V
<b>Color Temperature</b>	3000K
<b>CRI (Ra)</b>	90CRI
<b>Optional Color Temps</b>	2700K - 5000K Available, Minimum Order Quantities Apply
<b>LED Rated Life</b>	50,000 hours
<b>Dimming</b>	100% - 10%, TRIAC or ELV Dimmer (Not Included)
<b>Diffuser Details</b>	Frosted Silicone Diffuser
<b>Adjustable</b>	Yes
<b>Wire Length</b>	120" Max
<b>Wire Type</b>	BG - Black Wire; BK - Black Wire; WH - Clear Wire;
<b>Minimum Hang Height</b>	16"
<b>Sloped Ceiling Adaptable</b>	Yes
<b>Location</b>	Dry
<b>Illumination Direction</b>	Up and Downlight
<b>Canopy Dimensions</b>	D13" x H2"

\* For custom options, consult factory for details.

\* For warranty information, please visit [www.kuzcolighting.com/warranty](http://www.kuzcolighting.com/warranty)

### DESCRIPTION

Extruded and rolled aluminum with rectangular profile. Flush silicone diffuser. Three tiers. Matte powder-coated finish. Up and down light.



# KUZCO

CANADA: 19054 28TH AVENUE - SURREY, BC V3Z 6M3

USA: 3035 E. LONE MOUNTAIN ROAD - LAS VEGAS, NV 89081

[WWW.KUZCOLIGHTING.COM](http://WWW.KUZCOLIGHTING.COM)

© 2021 KUZCO LIGHTING. ALL RIGHTS RESERVED.

### COMMENT