

70232 BN / CH

SPECIFICATION SHEET

Description:

Two lamp vanity with white opal cylinder glass in your choice of brushed nickel or chrome details

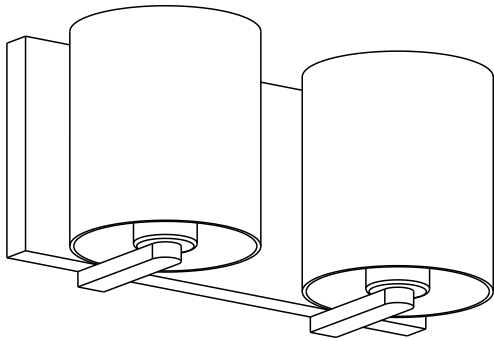
Metal finish:

BN - Brushed Nickel

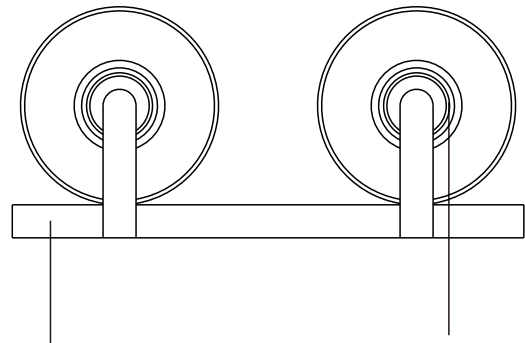
CH - Chrome

Lamping: 2X60W A19 medium base, 120V

Project:	
Date:	Type:



5-1/2"

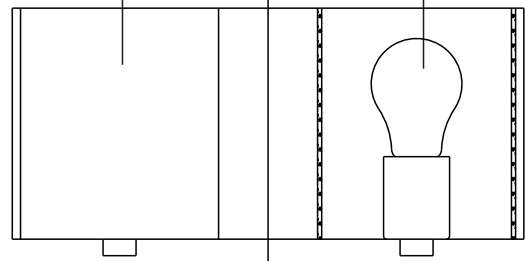


Metal back plate BN/CH

2X60W Max.
120V A19, Medium base

Opal cylinder Glass X 2

6"



11-3/4"

Custom option:

- Custom metal finish available (min. order qty required)



Vanity lights with opal cylinder glass

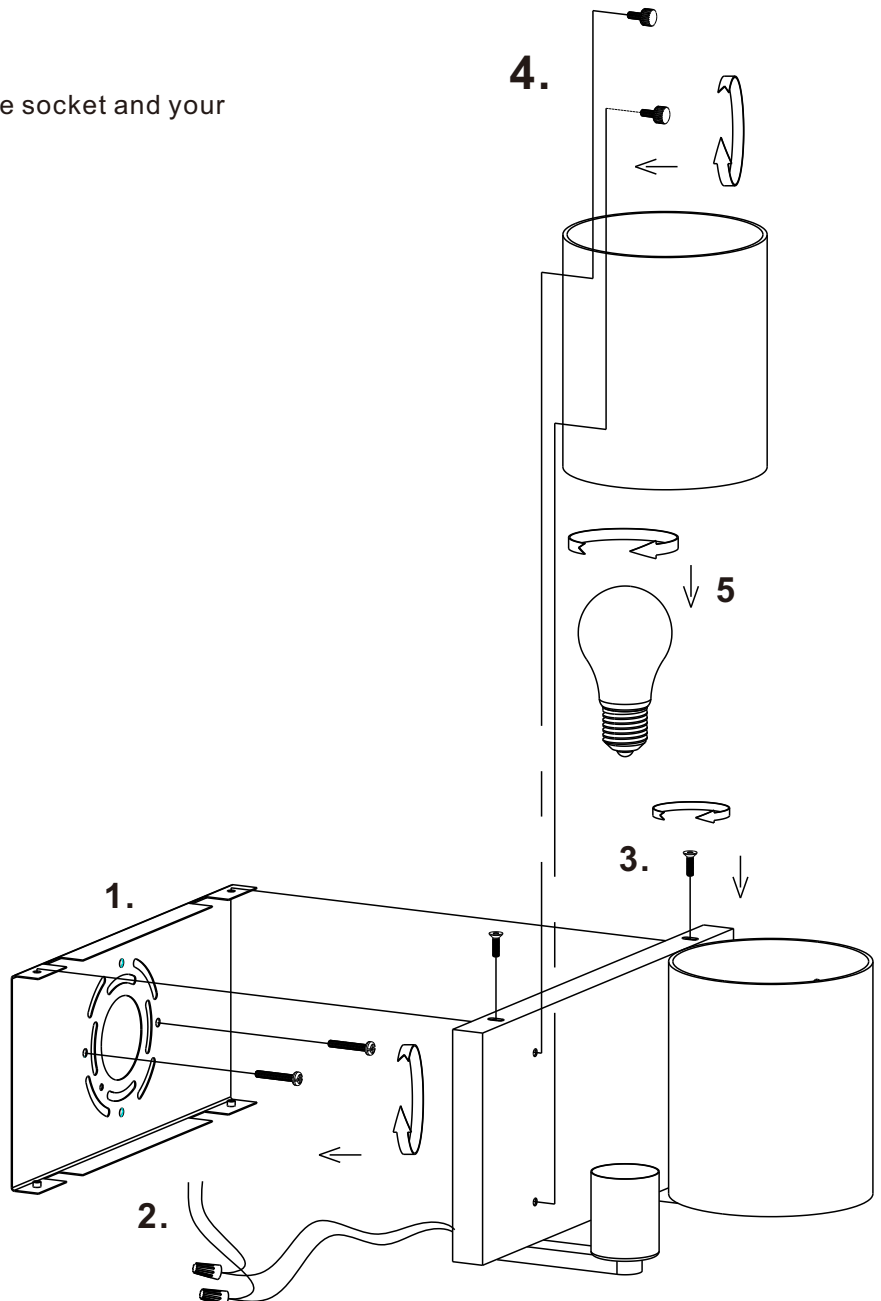
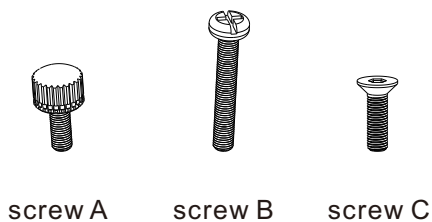
70231/2/3/4

INSTALLATION SHEET

- 1.** Remove the fixture from its original packaging then take the back plate to install to the junction box using two screws provided (Screw B).
- 2.** Pull the wires from the junction box through the back plate and connect them to the wire from the fixture (white to white, black to black, and ground to ground) Connect the wires together with marrets.
- 3.** Instal the metal holder to the back plate with the two screws provided (Screw C)
- 4.** Slid the glass onto the socket holder and fixed with the screws provided. (Screw A)
- 5.** Put the A19 60W, 120V bulbs into the socket and your fixture is ready to use.

START FROM HERE

- Before assembling lighting fixtures, make sure you have electrical experience or have your fixture installed by a qualified licensed electrician.
- Prepare everything in clear area.
- Put on gloves all the time during this installation.
- Read instructions carefully before you assemble.
- Keep this instruction sheet.



KUZCO
LIGHTING

103-19099 25th Avenue Surrey, BC Canada V3S 3V2
T: 604 538 7162 TF: 1-855 85 KUZCO F: 604 538 7196
W: kuzcolighting.com