

51562BN/CH

SPECIFICATION SHEET

Description:

Two lamp flush mount with white opal glass and your choice of chrome or brushed nickel finish

Metal Finish:

BN - Brushed Nickel

CH - Chrome

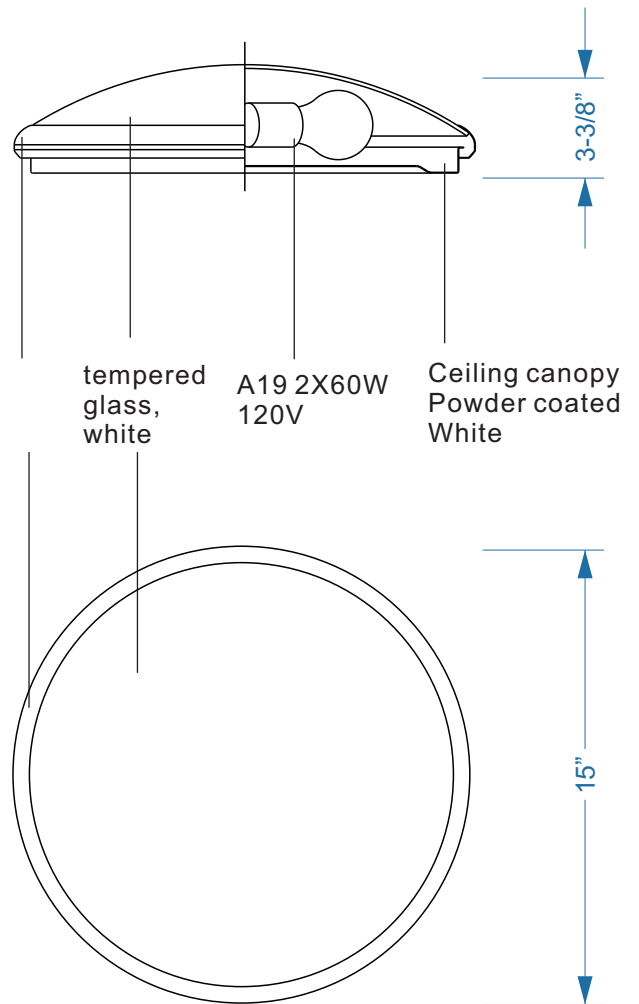
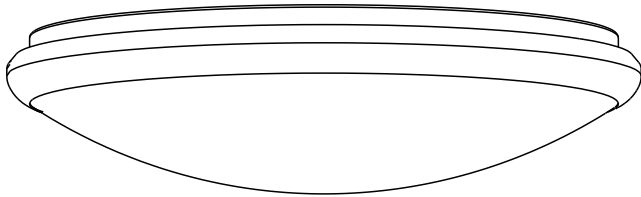
Lamping:

2 X 60W A19 medium base 120V

Project:

Date:

Type:



Custom options:

- custom trim finish available (min. order qty required)
- Fluorescent options:
2X13W, 2X26W with built-in electronic ballast
(see details on specification sheets of 51562PL213, 51562PL226)