

INSTALLATION INSTRUCTIONS

Item#P931-647 (New. 03/06/2012)

READ AND SAVE THESE INSTRUCTIONS

WARNING! SHUT POWER OFF AT FUSE OR CIRCUIT BREAKER.
AVERTISSEMENT! COUPER LE COURANT AU NIVEAU DES FUSIBLES OU DU DISJONCTEUR.

MOUNTING THE LUMINAIRE, MINI PENDANT VERSION (Fig. 1). For hardwire go to Fig.2

ASSEMBLING THE FIXTURE (Fig. 1)

1. Shut off power at the circuit breaker and remove the old fixture including the mounting hardware.
2. Carefully unpack your new fixture and lay out all parts on a clear area. Take care not to lose any small parts necessary for installation.
3. Determine the desired hanging height and if necessary, cut the cord leaving an additional 5" to allow for electrical connection.
4. Install the strain relief bushing (C) by removing screw (E) from bushing (D) and pushing the cord through the center of bushing (D) and strain relief (C) until about 5" of the cord is exposed.
5. Secure the cord into strain relief (C) and bushing (D) by tightening screw (E). The fixture may now hang from the strain relief (C).
6. Carefully cut and remove approximately 4" of the outer sheathing from the cord and strip 1/2" of the wire ends bare to expose the copper strands.
7. Attach the circular strap (A) to the outlet box with mounting screws (B) (size: #8-32N*L0.5"). The side of the circular strap marked "GND" with two convex points must face out.

CONNECTING THE WIRES (Fig. 3)

8. At this point, connect the electrical wires as shown in Fig. 2, making sure that all wire connectors are secured. If your outlet has a ground wire (green or bare copper), connect the fixture's ground wire to it. Otherwise, connect the fixture's ground wire directly to the circular strap using the green screw provided.

COMPLETING THE INSTALLATION (Fig. 1)

9. Place canopy (G) over circular strap (A) and secure with screws (F)
10. Place glass shade (I) and spacer (J) over socket cup (H) and secure with screw shell (K).
11. Install the T10 1*60W (MED BASE) light bulb (not included) in accordance with the fixture's specifications. **(DO NOT EXCEED THE MAXIMUM WATTAGE RATING). (NE PAS DEPASSER LA PUISSANCE NOMINALE MAXIMALE!)**

Your installation is now complete. Return power to the outlet box and test the fixture.

Note: Illustration (Fig.1) on this manual is for installation purposes only. It may or may not be identical to the fixture purchased.

Fig. 1

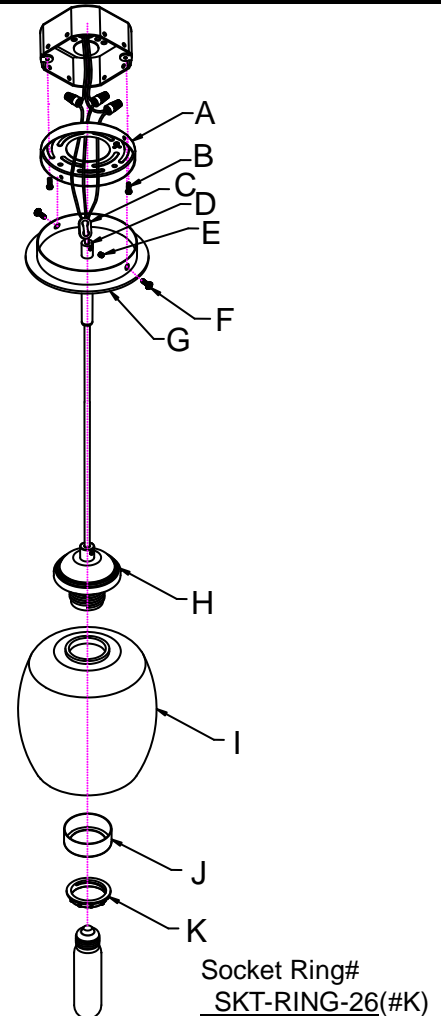
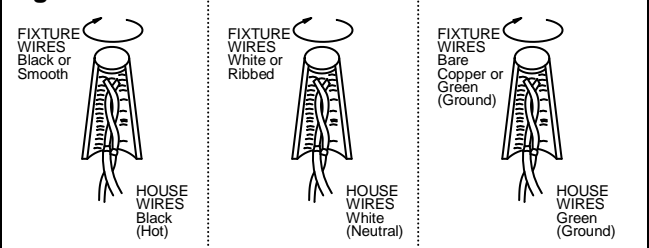


Fig. 3



IMPORTANT: FIXTURE SHOULD BE INSTALLED BY A QUALIFIED ELECTRICIAN TO ENSURE PROPER WIRING AND INSTALLATION.



INSTALLATION INSTRUCTIONS

Item#P931-647 (New. 03/06/2012)

READ AND SAVE THESE INSTRUCTIONS

WARNING! SHUT POWER OFF AT FUSE OR CIRCUIT BREAKER.
AVERTISSEMENT! COUPER LE COURANT AU NIVEAU DES FUSIBLES OU DU DISJONCTEUR.

MOUNTING THE FIXTURE, **SCONCE** VERSION (Fig. 2)

ASSEMBLING THE FIXTURE (Fig. 2)

12. Shut off power at the circuit breaker and remove the old fixture including the mounting hardware.
13. Carefully unpack your new fixture and lay out all parts on a clear area. Take care not to lose any small parts necessary for installation.
14. Determine the desired hanging height and if necessary, cut the cord leaving an additional 5" to allow for electrical connection.
15. Install the strain relief bushing (C) by removing screw (E) from bushing (D) and pushing the cord through the center of bushing (D) and strain relief (C) until about 5" of the cord is exposed.
16. Secure the cord into strain relief (C) and bushing (D) by tightening screw (E). The fixture may now hang from the strain relief (C).
17. Carefully cut and remove approximately 4" of the outer sheathing from the cord and strip 1/2" of the wire ends bare to expose the copper strands.
18. Attach the circular strap (A) to the outlet box with mounting screws (B) (Size: #8-32N*L0.5"). The side of the circular strap marked "GND" with two convex points must face out.

CONNECTING THE WIRES (Fig. 3)

19. At this point, connect the electrical wires as shown in Fig. 2, making sure that all wire connectors are secured. If your outlet has a ground wire (green or bare copper), connect the fixture's ground wire to it. Otherwise, connect the fixture's ground wire directly to the circular strap using the green screw provided.

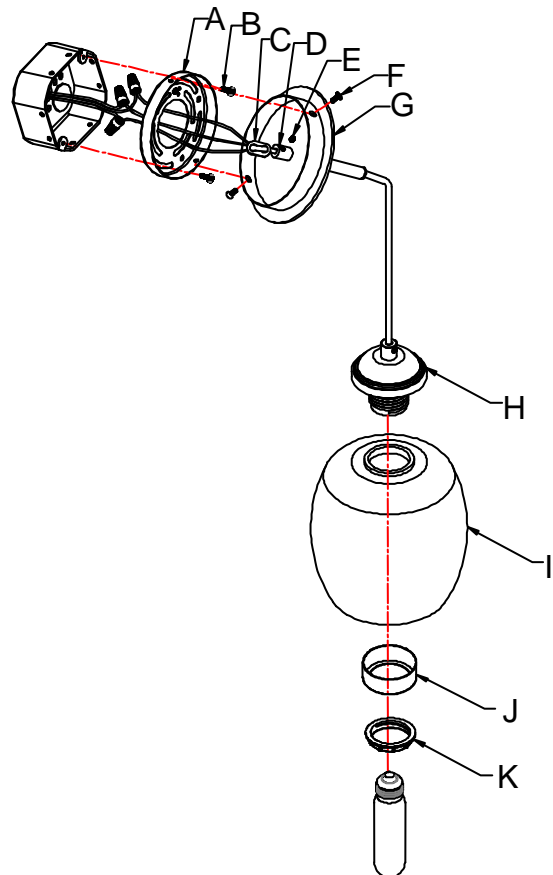
COMPLETING THE INSTALLATION (Fig. 2)

20. Place canopy (G) over circular strap (A) and secure with screws (F)
21. Place glass shade (I) and spacer (J) over socket cup (H) and secure with screw shell (K).
22. Install the T10 1*60W (MED BASE) light bulb (not included) in accordance with the fixture's specifications. **(DO NOT EXCEED THE MAXIMUM WATTAGE RATING). (NE PAS DEPASSER LA PUISSANCE NOMINALE MAXIMALE!)**

Your installation is now complete. Return power to the outlet box and test the fixture.

Note: Illustration (Fig.1) on this manual is for installation purposes only. It may or may not be identical to the fixture purchased.

Fig. 2



Socket Ring#
SKT-RING-26(#K)

Fig. 3

