

INSTALLATION INSTRUCTIONS

For Model # P478-077 (05 / 08 / 2012)

WARNING! SHUT POWER OFF AT FUSE OR CIRCUIT BREAKER.
AVERTISSEMENT ! COUPER LE COURANT AU NIVEAU DES FUSIBLES OU DO DISJONCTEUR

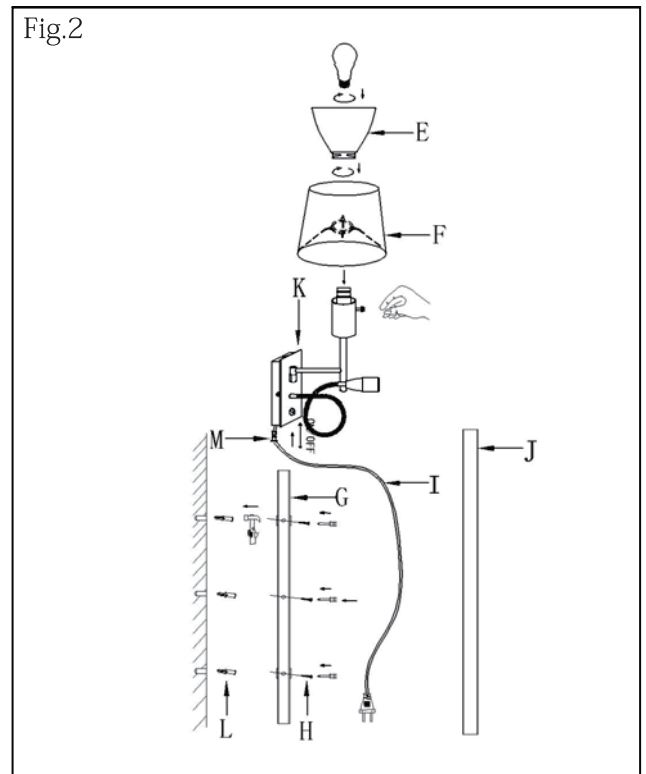
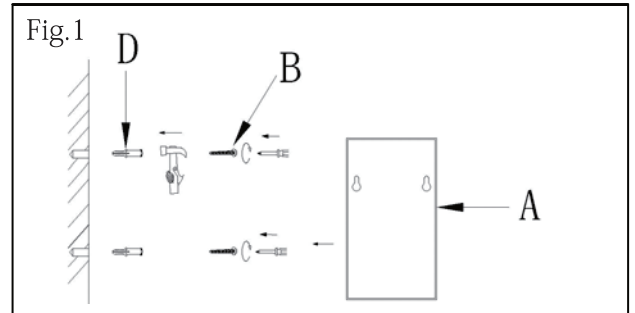
WARNING

- Risk of shock, do not plug in the unit before assembly.
- Do not exceed the maximum wattage rating (100W MAX).

MOUNTING THE LUMINAIRE, PLUG VERSION (Fig.1 & Fig.2)

For hardware version see Fig.3 & Fig.4

1. Carefully unpack your new fixture and lay out all the parts on a clear area. Take care not to lose any small parts necessary for installation.
2. Drill two holes in the proper position on the wall according to the mounting location of the fixture.
3. Secure the wall plate (A) to wall using the screws (B) and the plastic anchors (D).
4. Take the fixture body (K) to attach with (A) and using the screws (C) tighten.
5. Place the shade (F) onto the socket, then screw the glass bowl (E) to the socket until tighten.
6. Install the bracket (G) with the screws (H) and the plastic anchor (L). Fix the cord (I) into the bracket (G), and snap the cord cover (J) onto the bracket (G) tightly.
7. Install the bulb (100W MAX) into socket in accordance with the fixtures specifications. (DO NOT EXCEED THE MAXIMUM WATTAGE RATING !)
(NE PAS DEPASSER LA PUISSANCE NOMINALE MAXUMALE !)



IMPORTANT SAFETY INSTRUCTIONS :

1. This is portable lamp has a polarized plug (one blade is wider than the other) as a safety feature to reduce the risk of electric shock. This plug will fit in a polarized outlet only one way. If the plug does not fit fully in the outlet, reverse the plug. If it still does not fit, contact a qualified electrician. Never use with an extension cord unless plug can be fully inserted. Do not alter the plug.
2. The lamp also uses 1-3W LED bulb and the on/off switch is on the face plate. Do not look directly at lighted LED lamp.

IN AN ONGOING EFFORT TO BE ENVIRONMENTALLY FRIENDLY AND IN COMPLIANCE WITH CALIFORNIA TITLE 20 AN ENERGY SAVING COMPACT LED BULB(S) IS INCLUDED.

**MOUNTING THE FIXTURE, HARDWARE VERSION
(Fig.3 & Fig.4)**

1. Shut off power at the circuit breaker and remove old fixture from wall, including the crossbar.
2. Remove the cord and plug by disconnecting the wire nuts to the cord. (CAUTION/ATTENTION: CAN NOT GO BACK TO PLUG VERSION ONCE THE CORD AND PLUG ARE CUT OFF)
3. Remove the mounting plate for portable version(Fig 1.A)
4. Secure the mounting bracket (A) to the Outlet Box using the screws (B). The side of the mounting bracket marked "GND" must face out (Fig.3).

CONNECTING THE WIRES (Fig. 5)

Connect the electrical wires as shown in Fig.5, making sure that all wire connectors are secured. If your outlet has a ground wire (green or bare copper), connect the fixtures Ground Wire to it. Otherwise, connect the fixtures Ground Wire directly to the mounting bracket by using the Green Screw provided.

FINISHING THE INSTALLATION (Fig. 4)

5. Place Fixture Body (K) over the mounting bracket (A) then secure them tightly with two screws (C).
6. Insert the filler plug (M) into the hole on the bottom of the Fixture Body (K).
7. Install the bulbs into socket in accordance with the fixtures specifications. (DO NOT EXCEED THE MAXIMUM WATTAGE RATING!)
(NE PAS DEPASSER LA PUISSANCE NOMINALE MAXIMALE!)

Your installation is now complete. Return power to the outlet box and test the fixture.

