



Disposal Flange with Stopper K-11352

Features

- Fits standard garbage disposal units (4-1/2-inch diam., 1-5/8-inch depth).
- Premium metal construction.
- Perfect color match with KOHLER finishes
- Includes Disposal Flange and Stopper
- Fits standard garbage disposal units, 4-1/2" diameter, 1-5/8" depth



Codes/Standards

None Applicable

KOHLER® One-Year Limited Warranty

See website for detailed warranty information.

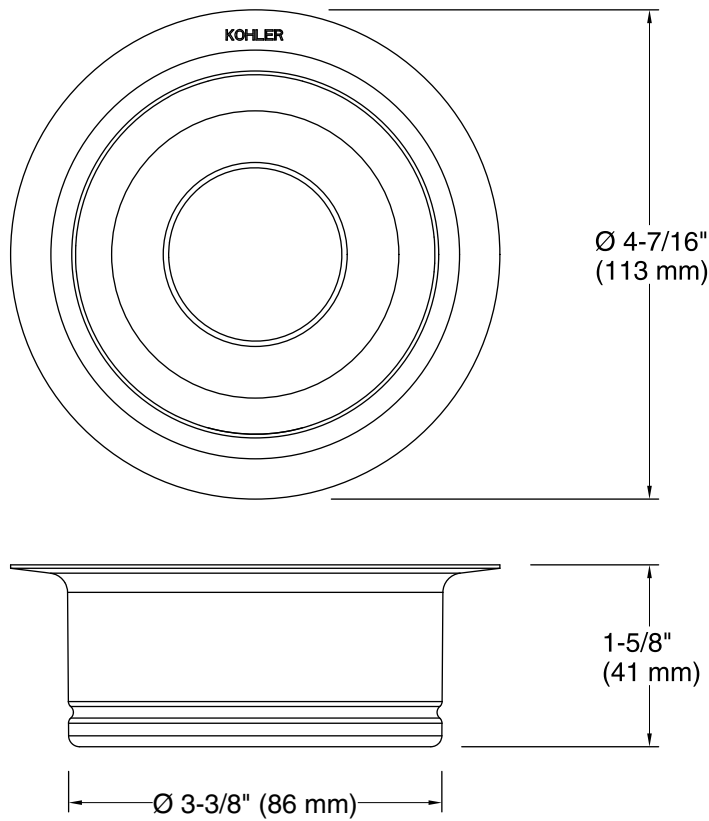
Available Colors/Finishes

Color tiles intended for reference only.

Color	Code	Description
	CP	Polished Chrome
	SN	Vibrant® Polished Nickel
	PB	Vibrant® Polished Brass
	BN	Vibrant® Brushed Nickel
	BS	Brushed Stainless
	BV	Vibrant® Brushed Bronze
	2BZ	Oil-Rubbed Bronze
	BL	Matte Black



Disposal Flange with Stopper
K-11352



Technical Information

All product dimensions are nominal.