

Features

- Hard nylon edge for scraping baked-on food and tough messes.
- Soft silicone edge is safe for cleaning nonstick cookware.
- Silicone edge is heat-resistant to 400°F.
- Hanging hole for convenient storage.

Material

- Nylon and silicone.
- Stain-resistant.



Codes/Standards

None Applicable


KOHLER® One-Year Limited Warranty

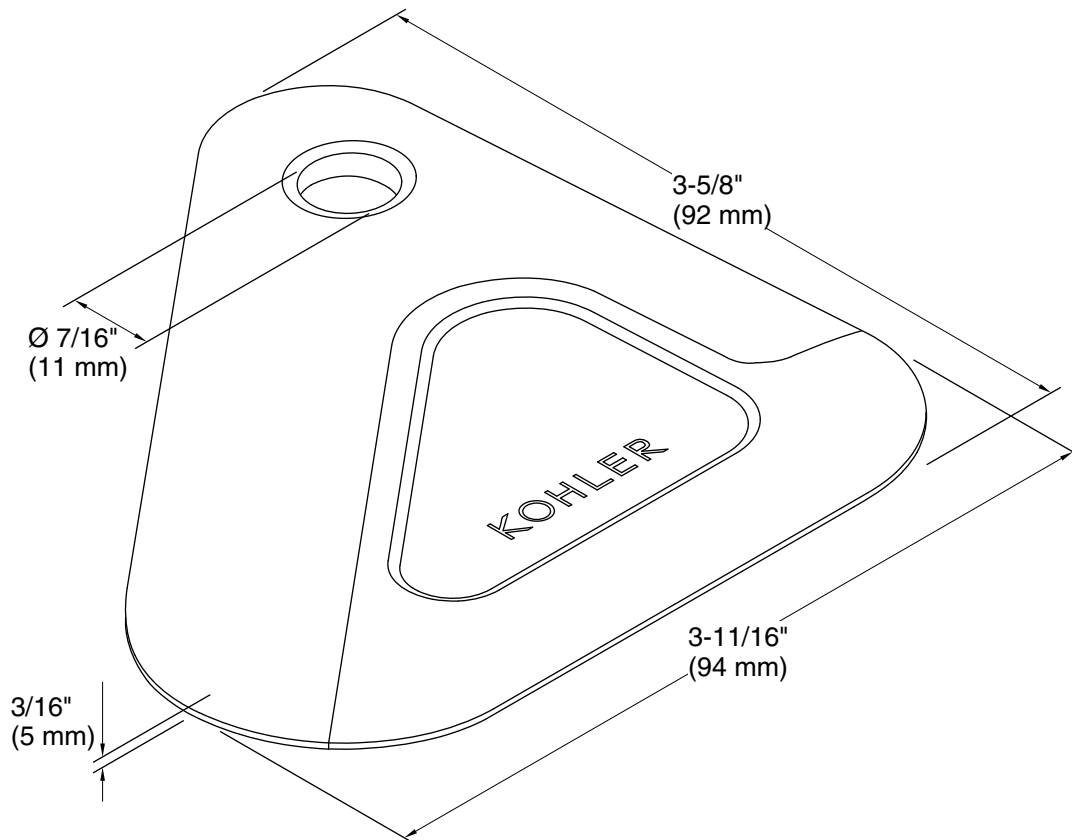
See website for detailed warranty information.

Available Colors/Finishes

Color tiles intended for reference only.

Color	Code	Description
-------	------	-------------

	0	White
---	---	-------



Technical Information

All product dimensions are nominal.

Material: Plastic, Silicone