

### Features

- Clean lines and an integral apron create a comfortable bathing experience.
- 16.5-inch step-over threshold for easy entry and exit.
- Standard size simplifies installation in remodels.
- Safeguard® slip-resistant surface on bath floor.
- Wide ledges for extra storage space.
- Left-hand drain.

### Material

- KOHLER® enameled cast iron.

### Installation

- Three-wall alcove.

### Additional Hydrotherapy Options

- Soaking Bath - K-847-0
- BubbleMassage air bath - K-859-G0
- Whirlpool - K-859-H2

### Recommended Products/Accessories

K-37386 rough-in cable drain, PVC, 30" cable



ADA

### Codes/Standards

ASME A112.19.1/CSA B45.2  
ASTM F462  
ADA  
ICC/ANSI A117.1






### KOHLER® Enameled Cast Iron Bath and Shower Base Lifetime Limited Warranty

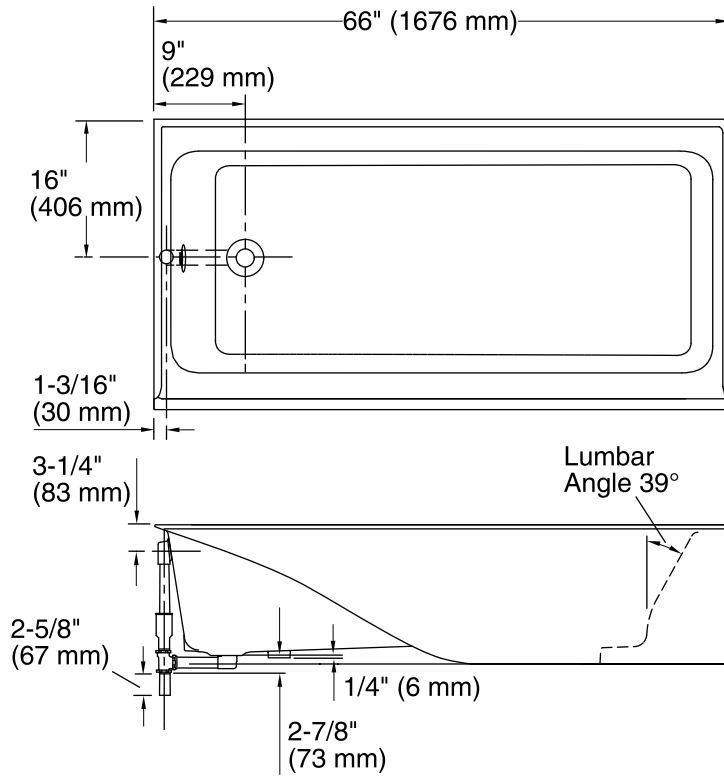
See website for detailed warranty information.

### Available Colors/Finishes

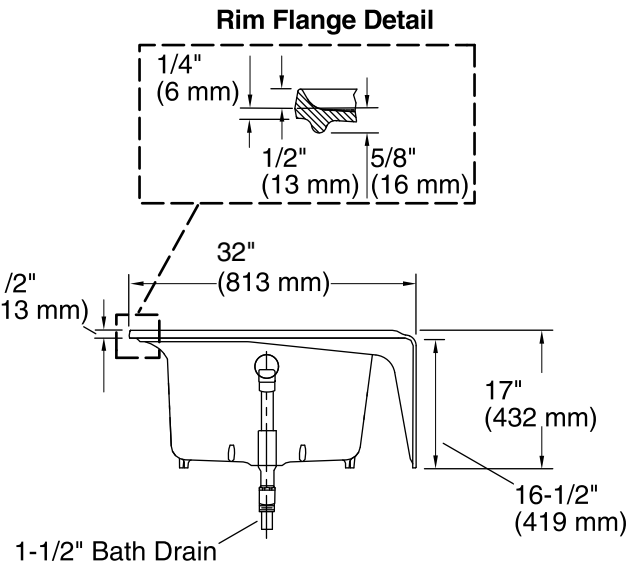
*Color tiles intended for reference only.*

Color	Code	Description
-------	------	-------------

	0	White
	96	Biscuit
	47	Almond
	NY	Dune
	G9	Sandbar



No change in measurement if connected with drain illustrated. (K-7259)



### Technical Information

All product dimensions are nominal.

Installation:	Three-wall alcove
Drain location:	Left
Basin area, bottom:	50-3/4" x 20-5/16" (1289 mm x 516 mm)
Basin area, top:	58-7/16" x 22-5/8" (1484 mm x 575 mm)
Weight:	380 lbs (172.4 kg)
Minimum floor load:	57 lbs/ft <sup>2</sup> (278.3 kg/m <sup>2</sup> )
Water depth:	11-11/16" (297 mm)
Water capacity:	49 gal (185.5 L)
Minimum flat for door:	2-1/2" (64 mm)

### Notes

Measure your actual product for rough-in details. Install this product according to the installation instructions.

The hot water supply should be 70% of the capacity of the bath or greater. Installations will vary.

ADA compliant when installed to the specific requirements of these regulations.