

Features

- 8 (203 mm) centers.
- 8-7/8" (225 mm) wall-to-spout outlet with wall brace and pail hook.
- 1/4-turn full brass ceramic valve.
- 13.5 gal/min (51 l/min) flow rate at 60 psi (4.1 bar).
- 2-7/16" vandal-proof metal lever handles.
- Threaded spout for hose connection.
- Atmospheric vacuum breaker to prevent back flow (not intended for continuous pressure).
- Integral supply stops with lock key for easy and convenient access.
- Drain not included.

Material

- Solid brass construction with thick chrome plating for rough commercial applications.

Installation

- Eccentric inlet shanks for easy installation.

Recommended Products/Accessories

K-23723 Faucet cleaner



ADA CSA B651 OBC

Codes/Standards


ASME A112.18.1/CSA B125.1
ADA
ICC/ANSI A117.1
CSA B651
OBC

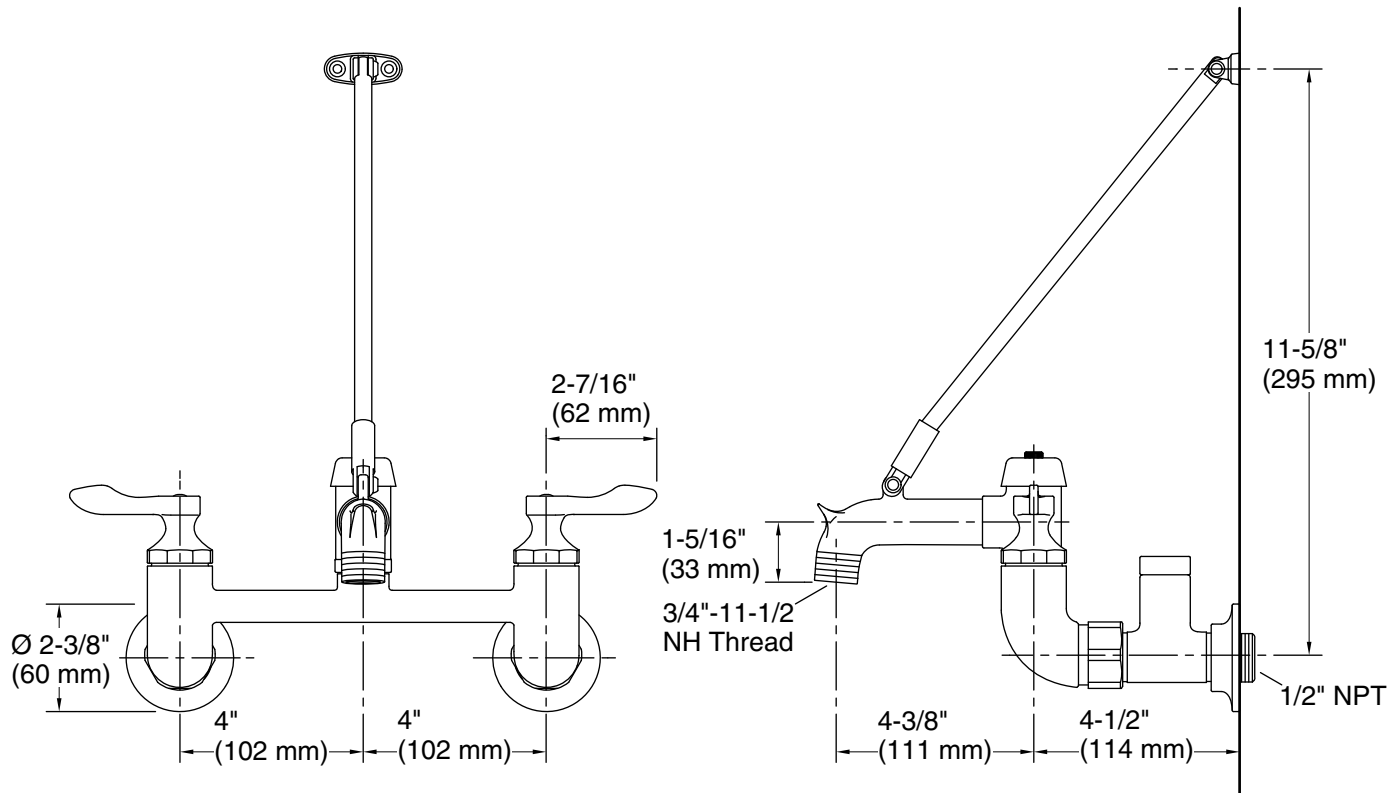
KOHLER® One-Year Limited Warranty

See website for detailed warranty information.

Available Colors/Finishes

Color tiles intended for reference only.

Color	Code	Description
	CP	Polished Chrome



Technical Information

All product dimensions are nominal.

Faucet:

Flow rate: 13.5 gal/min (51.1 l/min)
 Pressure: 60 psi (4.1 bar)
 Valve body: Cast brass
 Drain included: No

Spout:

Spout reach: 8-7/8" (225 mm)
 Handle clearance: 2-7/16" (62 mm)

Notes

Install this product according to the installation instructions.

ADA, OBC, CSA B651 compliant when installed to the specific requirements of these regulations.