

Features

- Sleek, exposed Stainless Steel roller design allows for effortless opening and closing of the sliding panel.
- Frameless design emphasizes glass and creates a sleek, minimalist look.
- Full-length magnetic seal keeps door firmly closed, providing excellent water containment.
- Back-to-back 11-1/2" (279.4 mm) vertical shower door pulls.
- Coordinates with other products in the Composed® collection.

Material

- Frameless, heavy 3/8" (10 mm) thick Crystal Clear tempered glass door and in-line panel.
- Anodized aluminum hardware prevents rusting or corrosion.

Technology

- CleanCoat® nanotechnology helps prevent bacteria, mildew and water stains on your glass, making it easy to clean and looking new.

Installation

- 78" (1981 mm) high, with 74-7/8" (1902 mm) walk-through height.
- Fits opening widths 56-1/8"–59-7/8" (1426 mm–1521 mm).
- 3-3/4" (95.25 mm) width adjustment.
- 3/8" (9.5 mm) out-of-plumb adjustability per side allows for simpler installation.
- Door can be installed to open to the left or right to suit your bathroom layout.
- Product ships in two boxes, offering easy handling.
- For residential use only.
- Not for use in hospitality.

Included Components

Product consists of:

- K-706081-FL fixed panel shower door
- K-706081-ML moving panel shower door



Codes/Standards

ANSI Z97.1
CPSC 16CFR 1201

KOHLER® One-Year Limited Warranty

See website for detailed warranty information.

Available Colors/Finishes

Color tiles intended for reference only.

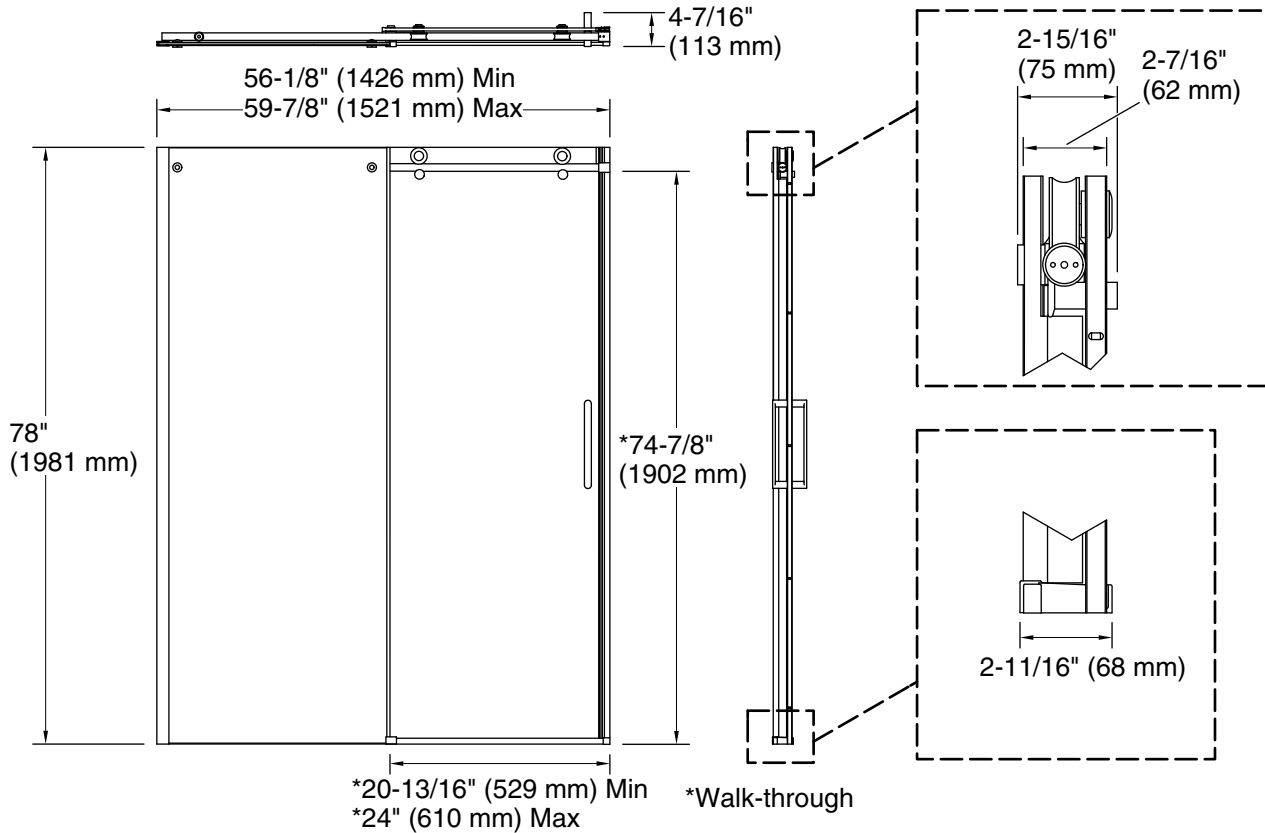
Color	Code	Description
-------	------	-------------

	SHP	
--	-----	--

Available Glass Options

Code	Description
------	-------------

L	Crystal Clear
---	---------------



Technical Information

All product dimensions are nominal.

Installation type: For shower base installation

Opening Width - Min: 56-1/8" (1426 mm)

Opening Width - Max: 59-7/8" (1521 mm)

Walk-through - Min: 20-13/16" (529 mm)

Walk-through - Max: 24" (610 mm)

Shower Base Radius 3/8" (10 mm)

- Max:

Glass thickness: 3/8" (10 mm)

Glass coating: CleanCoat®

Notes

Install this product according to the installation instructions.

The vertical opening should be a minimum of 80" (2032 mm) to allow for installation clearance.