

Features

- Generous 6-foot length provides spacious bathing for up to two people.
- Coordinates with other products in the Memoirs collection.

Material

- Acrylic

Installation

- Drop-in

Additional Hydrotherapy Options

- Soaking Bath - 1417-0
- Soaking Bath + Bask heated surface - 1417-W1
- BubbleMassage air bath - 1418-G
- BubbleMassage air bath + Bask heated surface - 1418-GW
- VibrAcoustic - 1418-VB
- VibrAcoustic + Bask heated surface - 1418-VBW
- Whirlpool - 1418-H2
- Effervescence Relax Package - 1418-CT
- Effervescence Spa Package - 1418-AH
- Whirlpool Massage Package - 1418-M
- Spa Package + Massage Package - 1418-V

Recommended Products/Accessories

- K-7161-AF Bath Drain
- K-24916 Wireless Music Kit
- K-7213 27" Cable Bath Drain
- K-7214 27" Cable Bath Drain
- K-7265 Clearflo Bath Drain
- K-37382 45" Rough-in Cable Bath Drain



Codes/Standards






CSA B45.5/IAPMO Z124
ASTM E162
ASTM E662

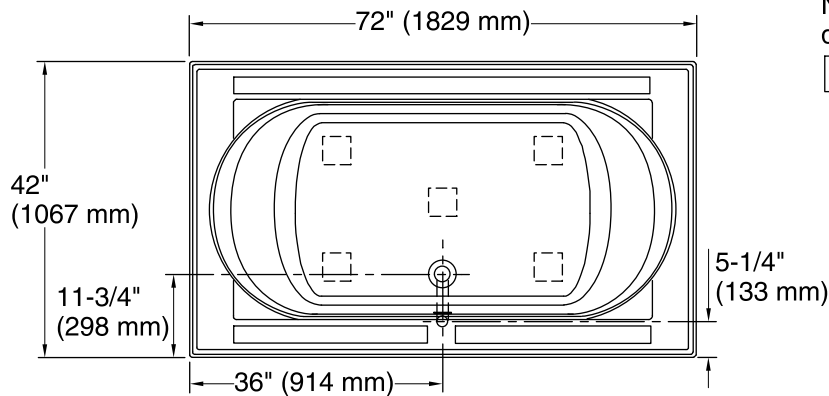
KOHLER® Plastic Baths and Receptors Lifetime Limited Warranty

See website for detailed warranty information.


Available Colors/Finishes

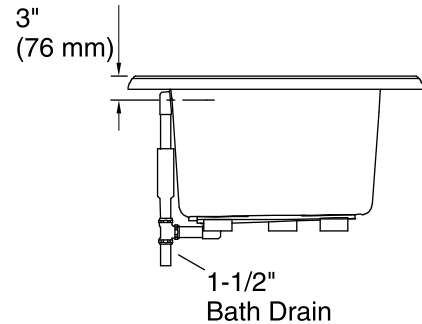
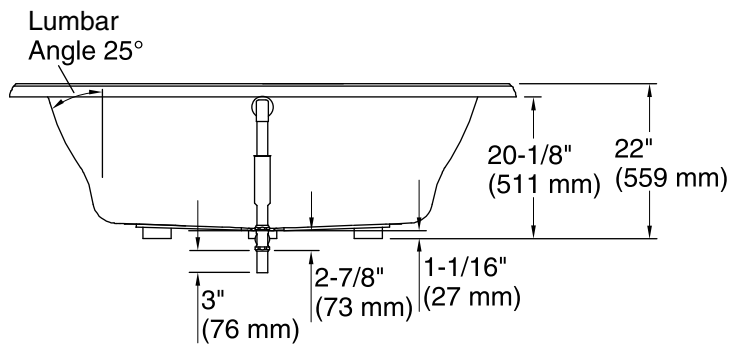
Color tiles intended for reference only.

| Color | Code | Description |
|--|------|-------------|
|  | 0 | White |
|  | 96 | Biscuit |
|  | 47 | Almond |
|  | NY | Dune |
|  | G9 | Sandbar |



No change in measurements if connected with drain illustrated. (K-7161-AF)

 Recommended Faucet Location



Technical Information

All product dimensions are nominal.

| | |
|---------------------|---|
| Installation: | Drop-in |
| Drain location: | Center |
| Basin area, bottom: | 48" x 27" (1219 mm x 686 mm) |
| Basin area, top: | 60" x 30" (1524 mm x 762 mm) |
| Weight: | 86 lbs (39 kg) |
| Minimum floor load: | 43 lbs/ft ² (209.9 kg/m ²) |
| Water depth: | 16" (406 mm) |
| Water capacity: | 94 gal (355.8 L) |
| Cutout: | Drop-in, 70-1/2" x 40-1/2" (1791 mm x 1029 mm) |

Notes

Measure your actual product for rough-in details. Install this product according to the installation instructions.

The hot water supply should be 70% of the capacity of the bath or greater. Installations will vary.

If installing a rim-mount faucet, make sure there is no interference above or below the deck before drilling any holes.