

Features

- 66"L x 35-7/8"W x 20"H
- Extra length and width enhance bathing comfort
- Three-wall alcove installation
- Constructed of acrylic
- Designed for one-person bathing
- Includes integral flange to simplify installation and prevent the possibility of water damage behind the wall
- Textured bottom surface

Additional Hydrotherapy Options

- Soaking Bath - 1229-L
- Soaking Bath + Bask heated surface - 1229-LW
- BubbleMassage air bath - 1224-GLF
- VibrAcoustic - 1224-VBL
- VibrAcoustic + Bask heated surface - 1224-VBLW
- Whirlpool - 1224-L
- Whirlpool + heater - 1224-LH
- Whirlpool + Bask heated surface - 1224-LW

Recommended Products/Accessories

- K-1234 Removable Apron
- K-1491 Bath/Whirlpool Pillow
- K-7161-AF Bath Drain
- K-24916 Wireless Music Kit
- K-1601 Bath/Whirlpool Footstop
- K-7213 27" Cable Bath Drain
- K-7214 27" Cable Bath Drain
- K-7259 Clearflo Bath Drain
- K-37380 30" Rough-in Cable Bath Drain
- K-37383 30" Rough-in Cable Bath Drain



Codes/Standards






CSA B45.5/IAPMO Z124
ASTM E162
ASTM E662

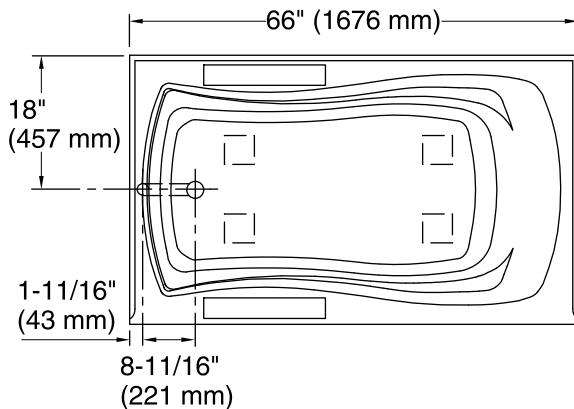
KOHLER® Plastic Baths and Receptors Lifetime Limited Warranty

See website for detailed warranty information.

Available Colors/Finishes

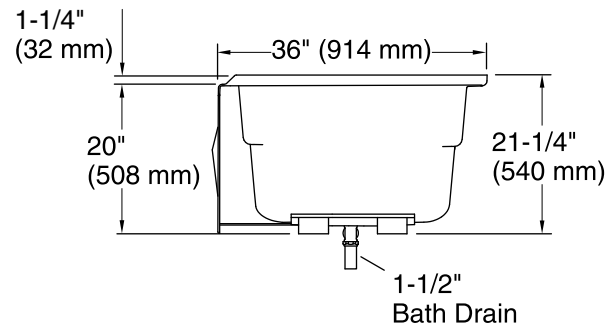
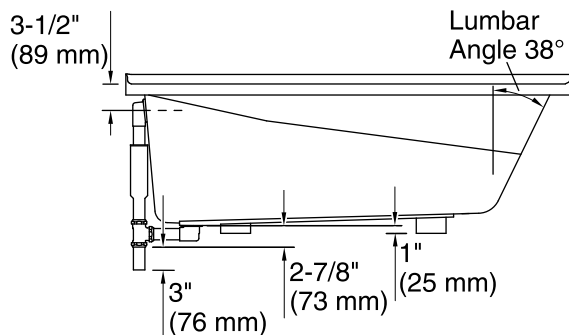
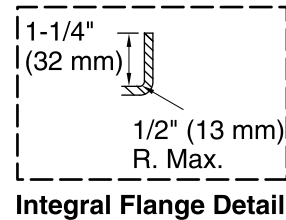
Color tiles intended for reference only.

Color	Code	Description
	0	White
	96	Biscuit
	47	Almond
	NY	Dune
	G9	Sandbar



No change in measurements if connected with drain illustrated. (K-7161-AF)

 Recommended Faucet Location



Technical Information

All product dimensions are nominal.

Installation:	Three-wall alcove
Drain location:	Left
Basin area, bottom:	48" x 24" (1219 mm x 610 mm)
Basin area, top:	59" x 30" (1499 mm x 762 mm)
Weight:	65 lbs (29.5 kg)
Minimum floor load:	39 lbs/ft ² (190.4 kg/m ²)
Water depth:	14" (356 mm)
Water capacity:	67 gal (253.6 L)
Minimum flat for door:	1-15/16" (49 mm)

Notes

Measure your actual product for rough-in details. Install this product according to the installation instructions.

The hot water supply should be 70% of the capacity of the bath or greater. Installations will vary.

If installing a rim-mount faucet, make sure there is no interference above or below the deck before drilling any holes.