



### Features

- 16" soaking depth.
- Center drain.
- Bask® heated surface creates spa-like relaxation with soothing warmth on your back, shoulders, and neck.
- Integral lumbar support.
- Textured bottom surface.
- Wide ledge on one side is ideal for deck-mount faucet and/or handshower.
- 60" (1524 mm) x 34" (864 mm) x 24-1/2" (622)

### Material

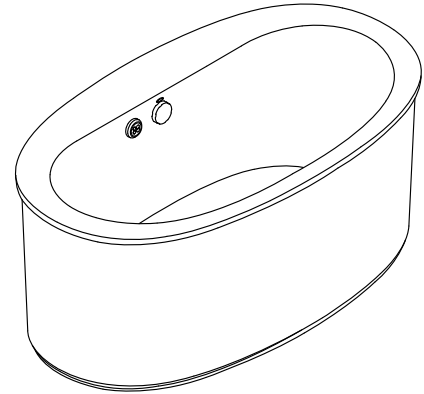
- Acrylic

### Installation

- Freestanding
- PureFlo™ drains are not recommended for a deck-mount faucet installation.

### Recommended Accessories

- K-7265 Clearflo Bath Drain (Qty 2)
- K-37380 30" Rough-in Cable Bath Drain
- K-37383 30" Rough-in Cable Bath Drain (Qty 2)
- K-37386 30" Rough-in Cable Bath Drain (Qty 2)
- K-24916 Wireless Music Kit
- K-T37391 Bath Cable Drain Trim
- K-T37392 Bath Cable Drain Trim
- K-T37393 Bath Cable Drain Trim
- K-T37394 Bath Cable Drain Trim
- K-T37395 Bath Cable Drain Trim
- K-T37396 Bath Cable Drain Trim
- K-T37397 Cable Bath Drain Trim



### Codes/Standards



CSA B45.5/IAPMO Z124  
ASTM E162  
ASTM E662  
UL 1795  
CSA C22.2 No. 218.2  
Greenguard UL 2818 - Gold

See website for detailed warranty information.

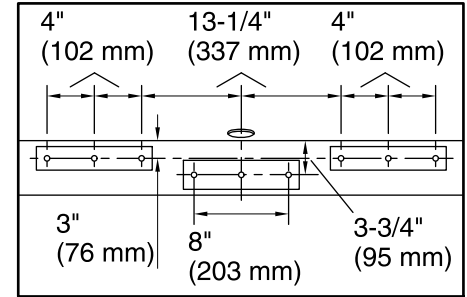
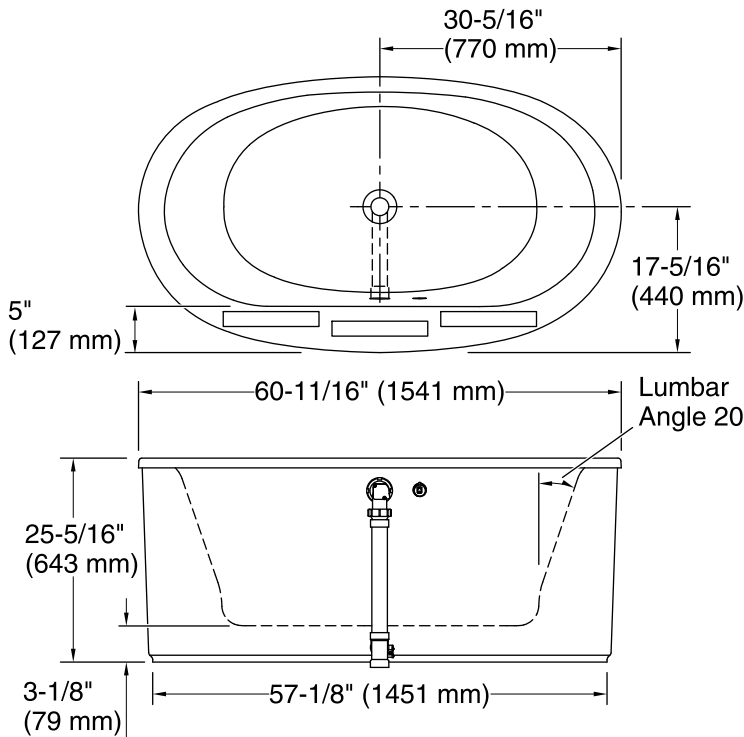
### Available Color/Finishes

*Color tiles intended for reference only.*

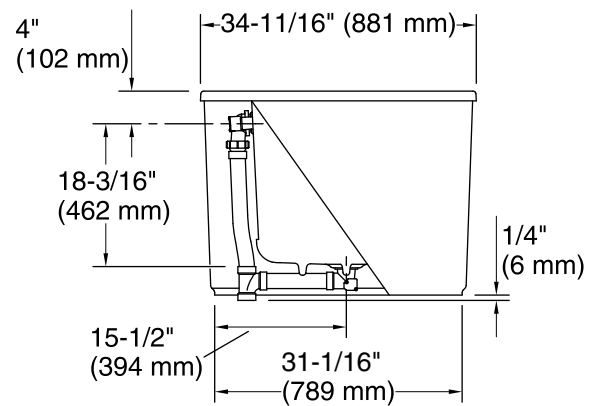
| Color | Code | Description |
|-------|------|-------------|
|-------|------|-------------|

- |  |    |         |
|--|----|---------|
|  | 0  | White   |
|  | 96 | Biscuit |

No change in measurements if connected with drain illustrated. (K-37386)  
 Recommended Faucet Location



**Recommended Faucet Hole Location**



### Required Electrical Service

One circuit required, protected with Class A Ground-Fault Circuit-Interrupter (GFCI) or Residual Current Device (RCD).

Heated Surface: 120 V, 15 A, 60 Hz

### Technical Information

All product dimensions are nominal.

|                              |   |
|------------------------------|---|
| Installation:                | Freestanding  |
| Drain location:              | Center  |
| Basin area, bottom:          | 39-5/8" x 23-5/8" (1006 mm x 599 mm)                |
| Basin area, top:             | 49-9/16" x 25-1/2" (1259 mm x 648 mm)               |
| Weight:                      | 170 lbs (77.1 kg)                                   |
| Minimum floor load:          | 49.8 lbs/ft <sup>2</sup> (243.1 kg/m <sup>2</sup> ) |
| Water depth:                 | 16" (406 mm)  |
| Water capacity:              | 60 gal (227.1 L)                                    |
| Electrical component rating: | Heated Surface: 120 V, 1.1 A, 50/60 Hz, 65 W        |

### Notes

Measure your actual product for rough-in details.

Install this product according to the installation instructions.

The hot water supply should be 70% of the capacity of the bath or greater. Installations will vary.

Provide one grounded electrical outlet within 24" (610 mm) of each component.

If installing a rim-mount faucet, make sure there is no interference above or below the deck before drilling any holes.