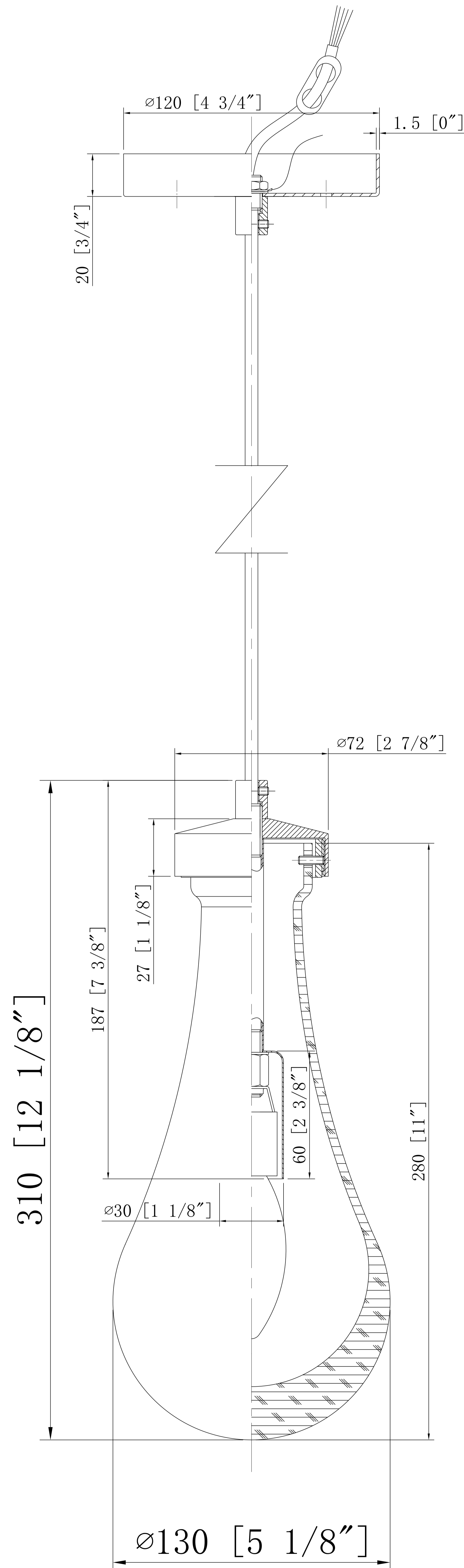
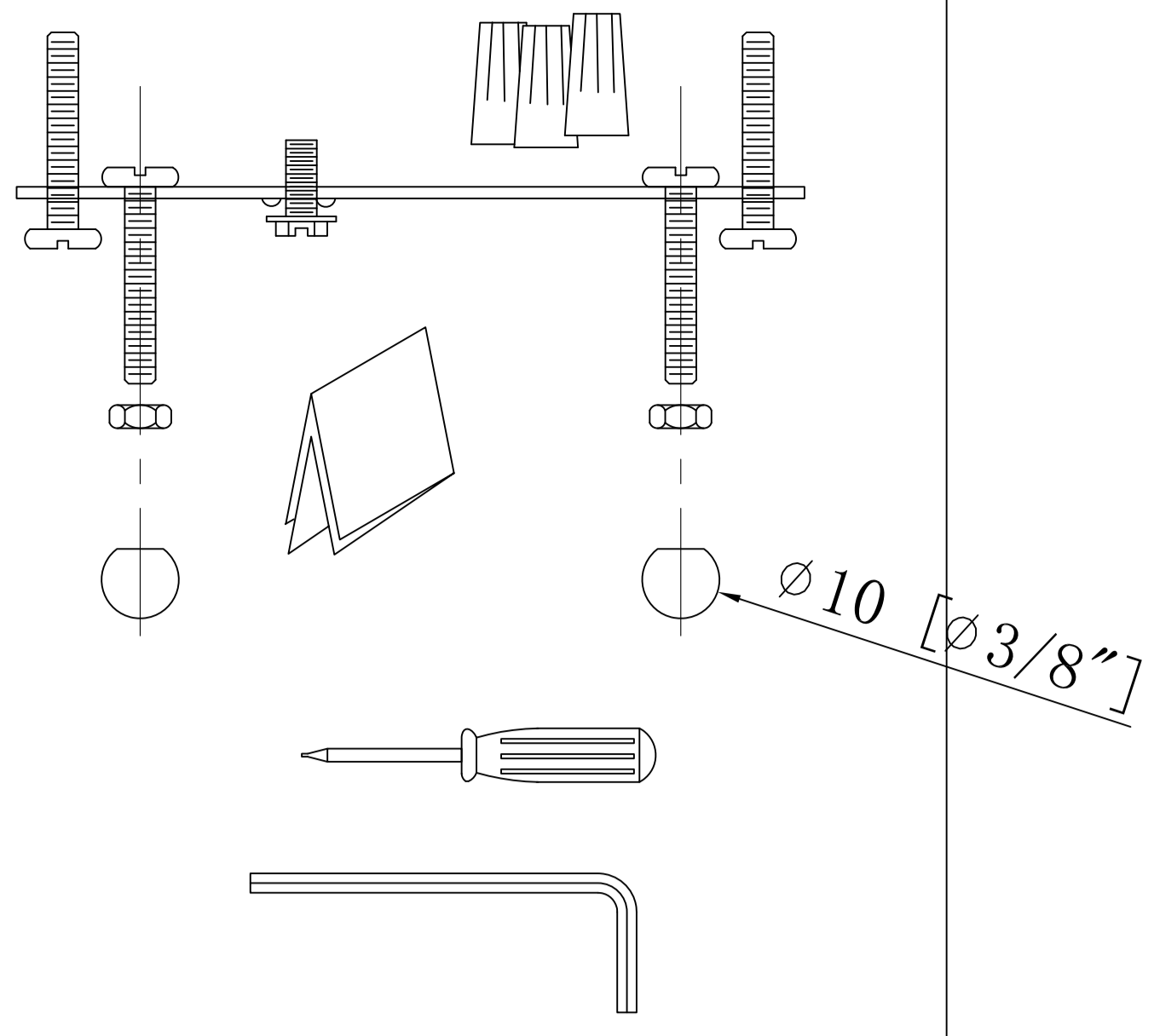


DESIGN COPYRIGHT - 12/21/2022

ALL RIGHTS RESERVED AND MAY  
NOT BE DUPLICATED WITHOUT OUR  
WRITTEN PERMISSION



ITEM: 451-1P-5