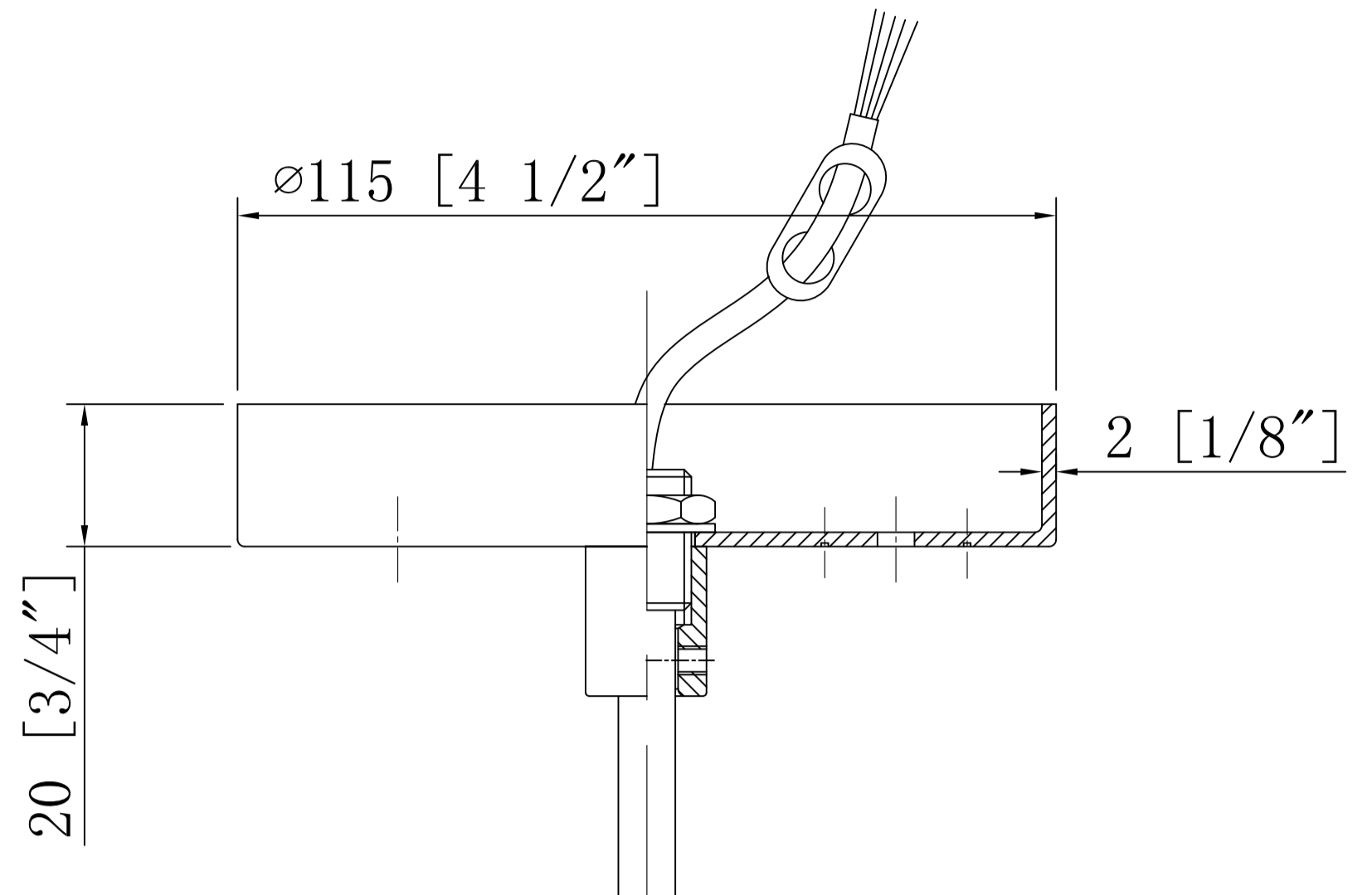
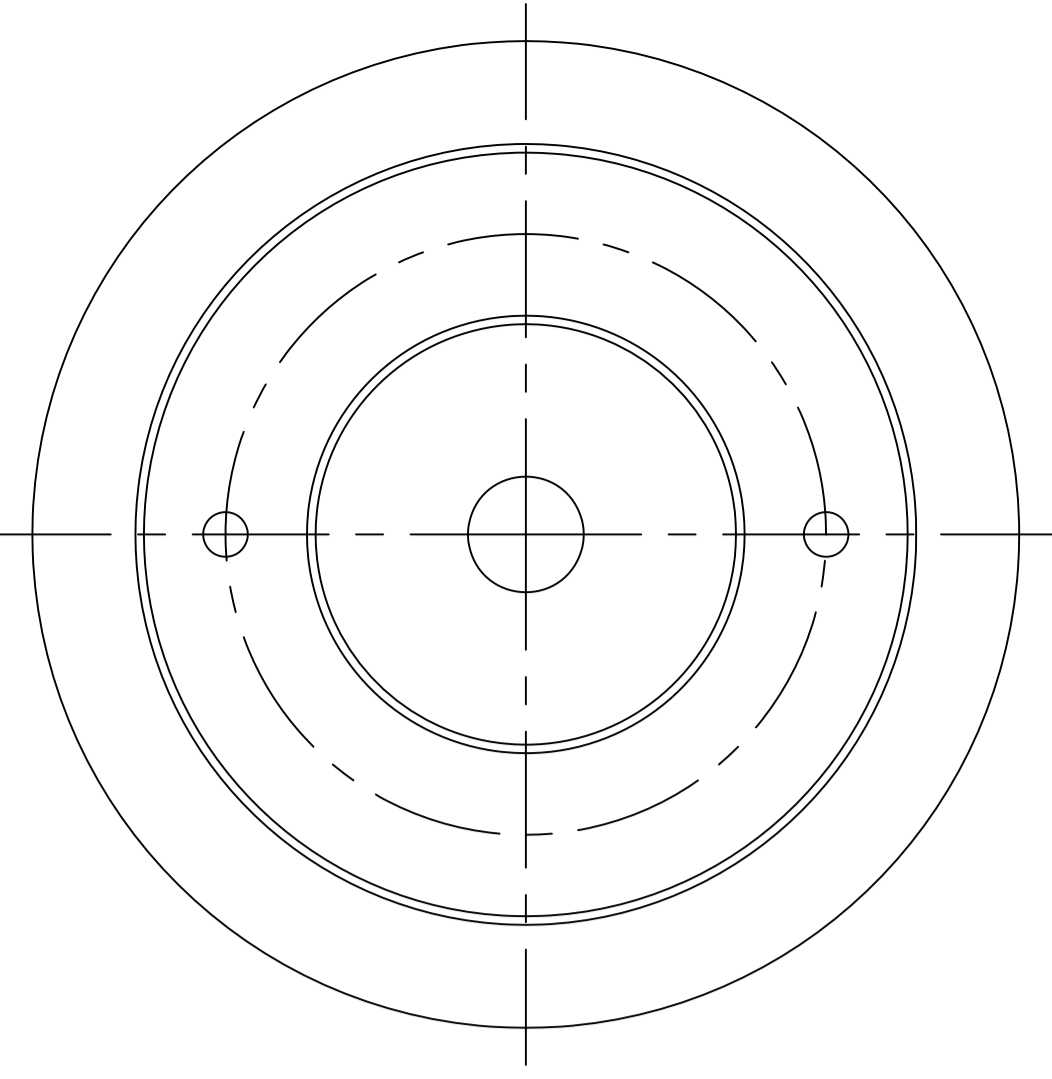
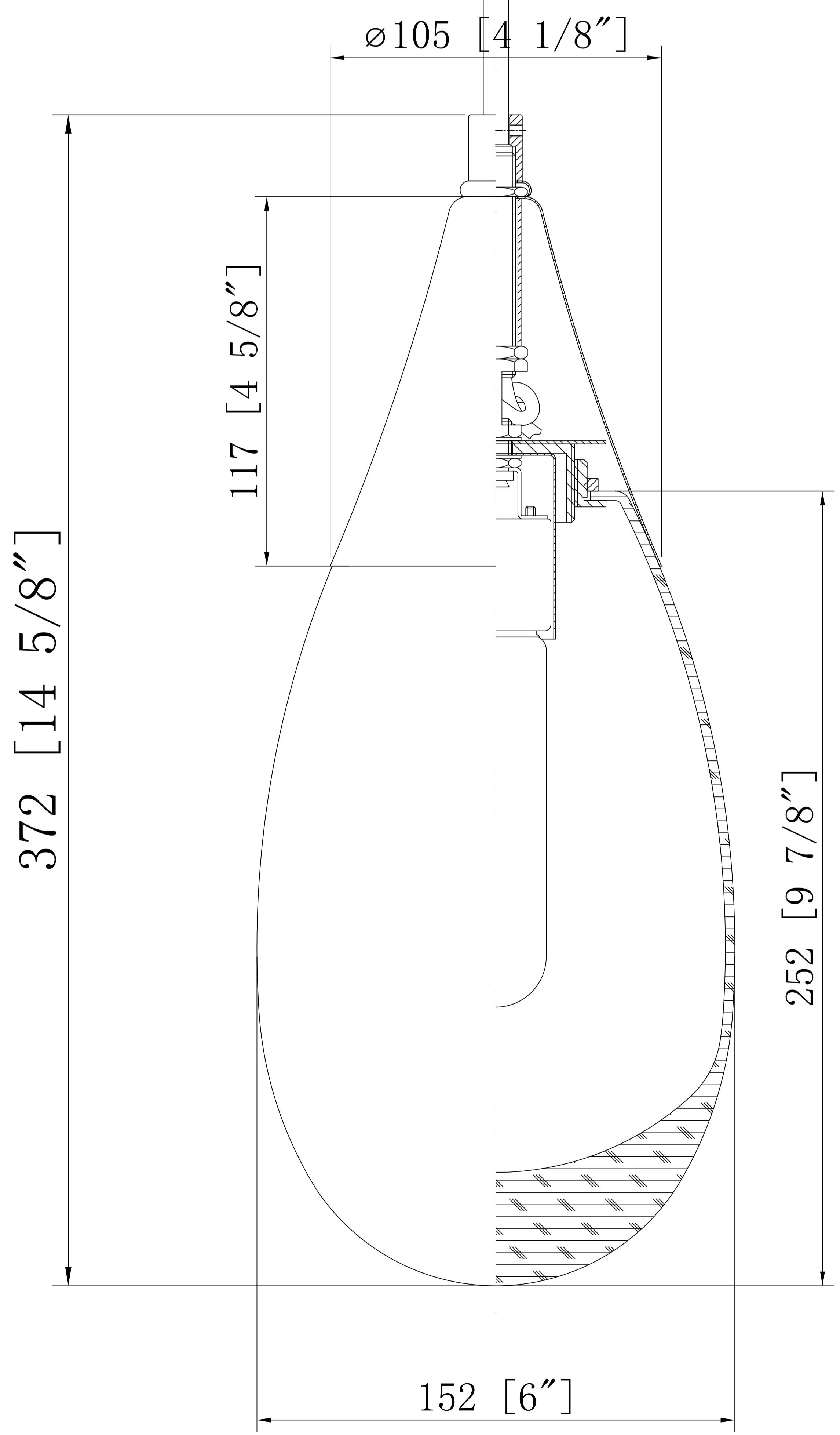


$\phi 10$  [ $\phi 3/8$ "]

**DESIGN COPYRIGHT - 12/21/2022**  
**ALL RIGHTS RESERVED AND MAY NOT BE DUPLICATED WITHOUT OUR WRITTEN PERMISSION**



120" - SJT



**ITEM:450-1P-6**