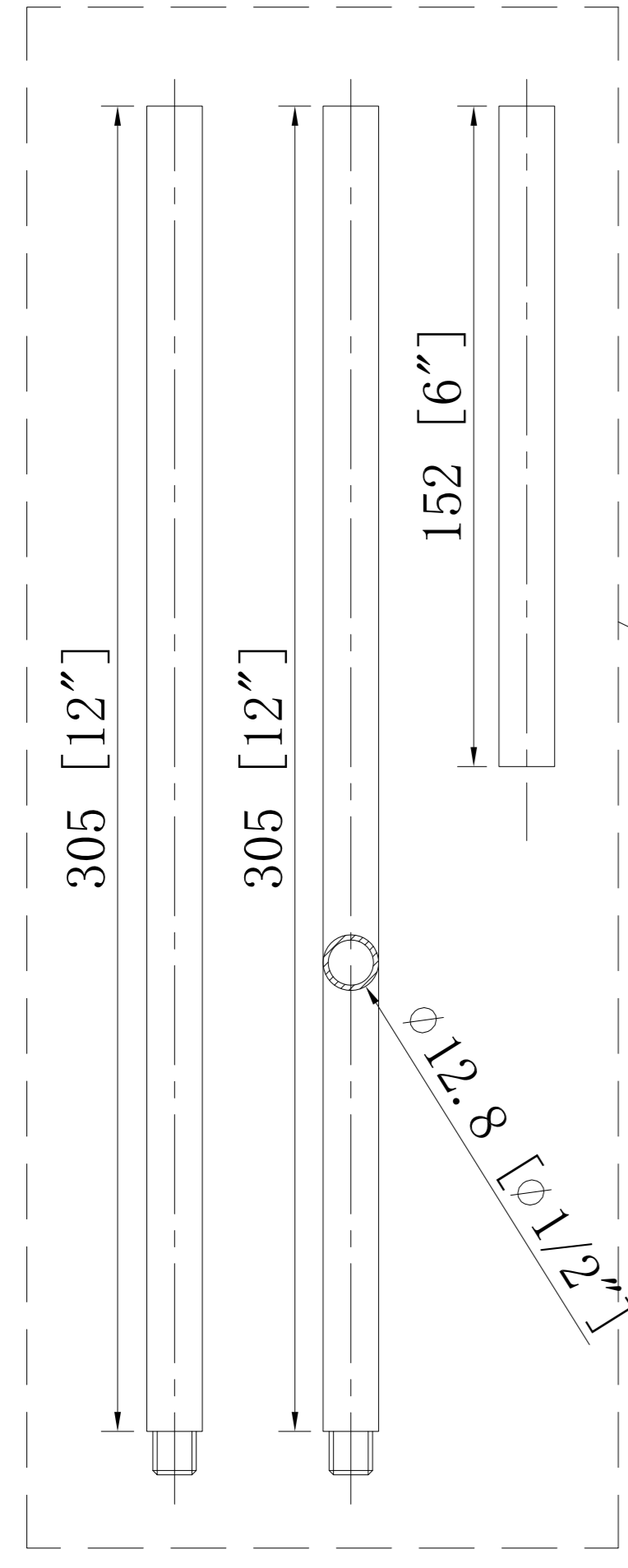
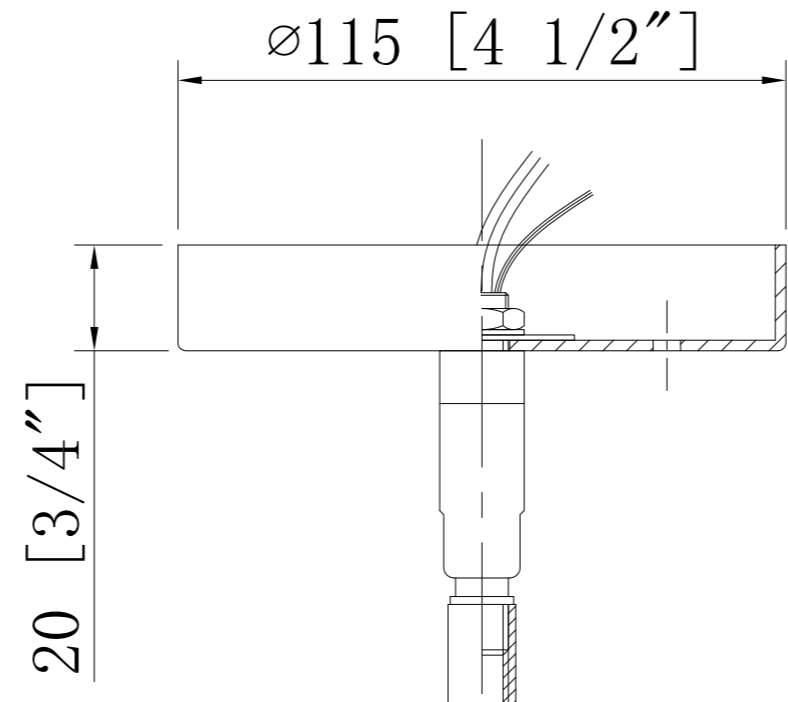


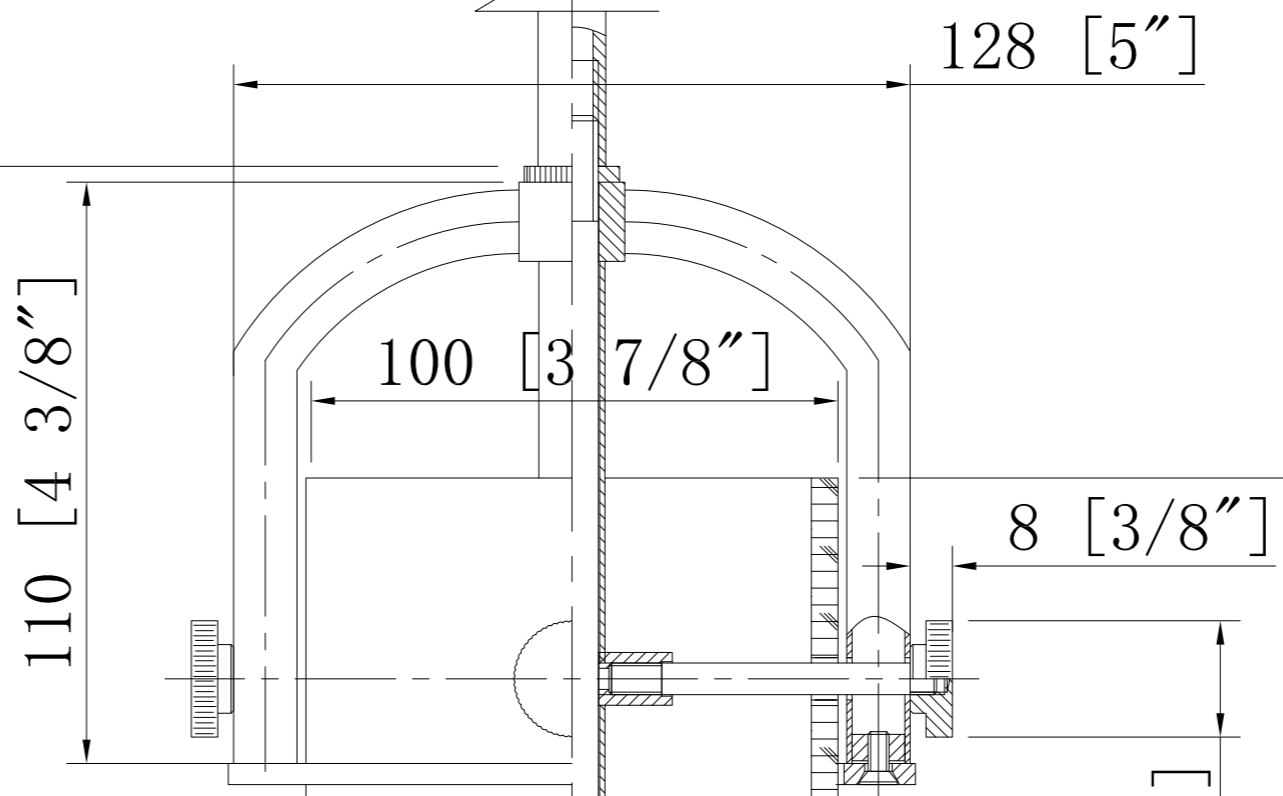
Ø10 [Ø3/8"]



559 [22"]



R&D
2020.12.17
Mark



110 [4 3/8"]

100 [3 7/8"]

128 [5"]

8 [3/8"]

22 [7/8"]

5 [1/4"]

38 [1 1/2"]

57 [2 1/4"]

500 [19 5/8"]

Ø457 [18"]

INNOVATIONS LIGHTING
DESIGN COPYRIGHT - 09/28/2020
ALL RIGHTS RESERVED AND MAY
NOT BE DUPLICATED WITHOUT OUR
WRITTEN PERMISSION

ITEM: 412-1S-18CL