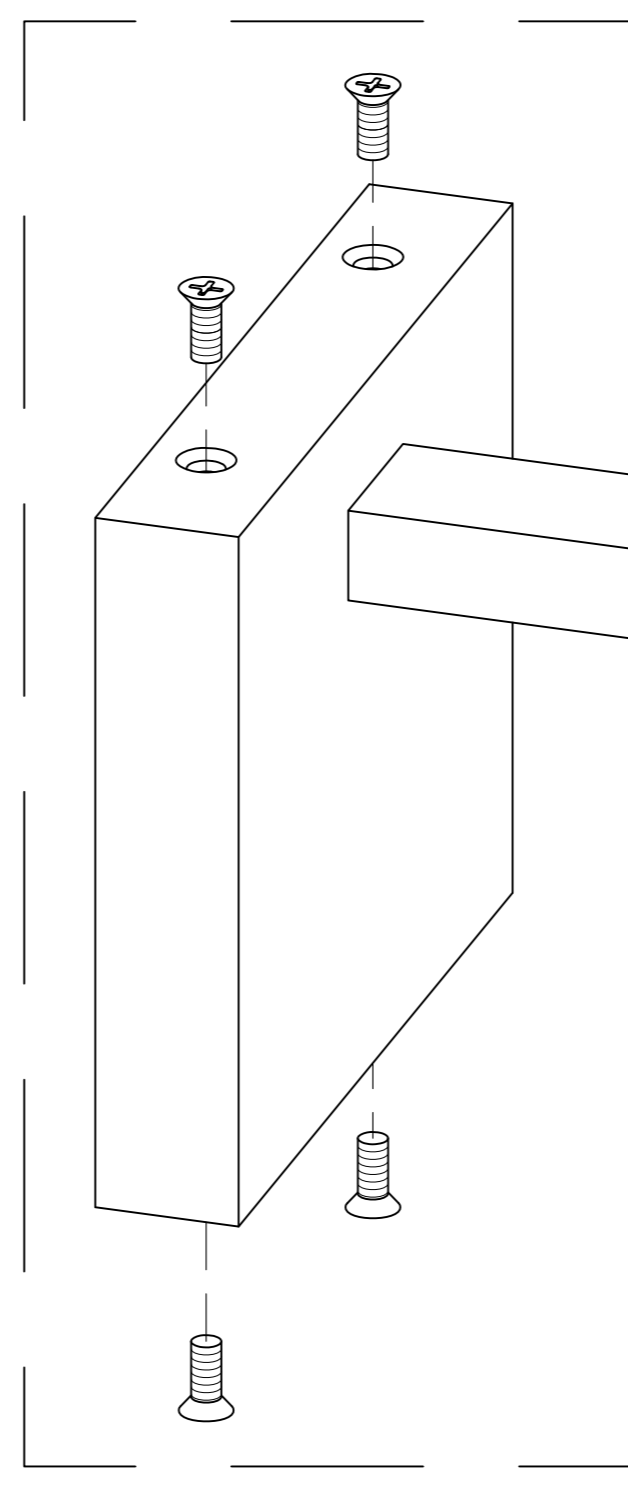
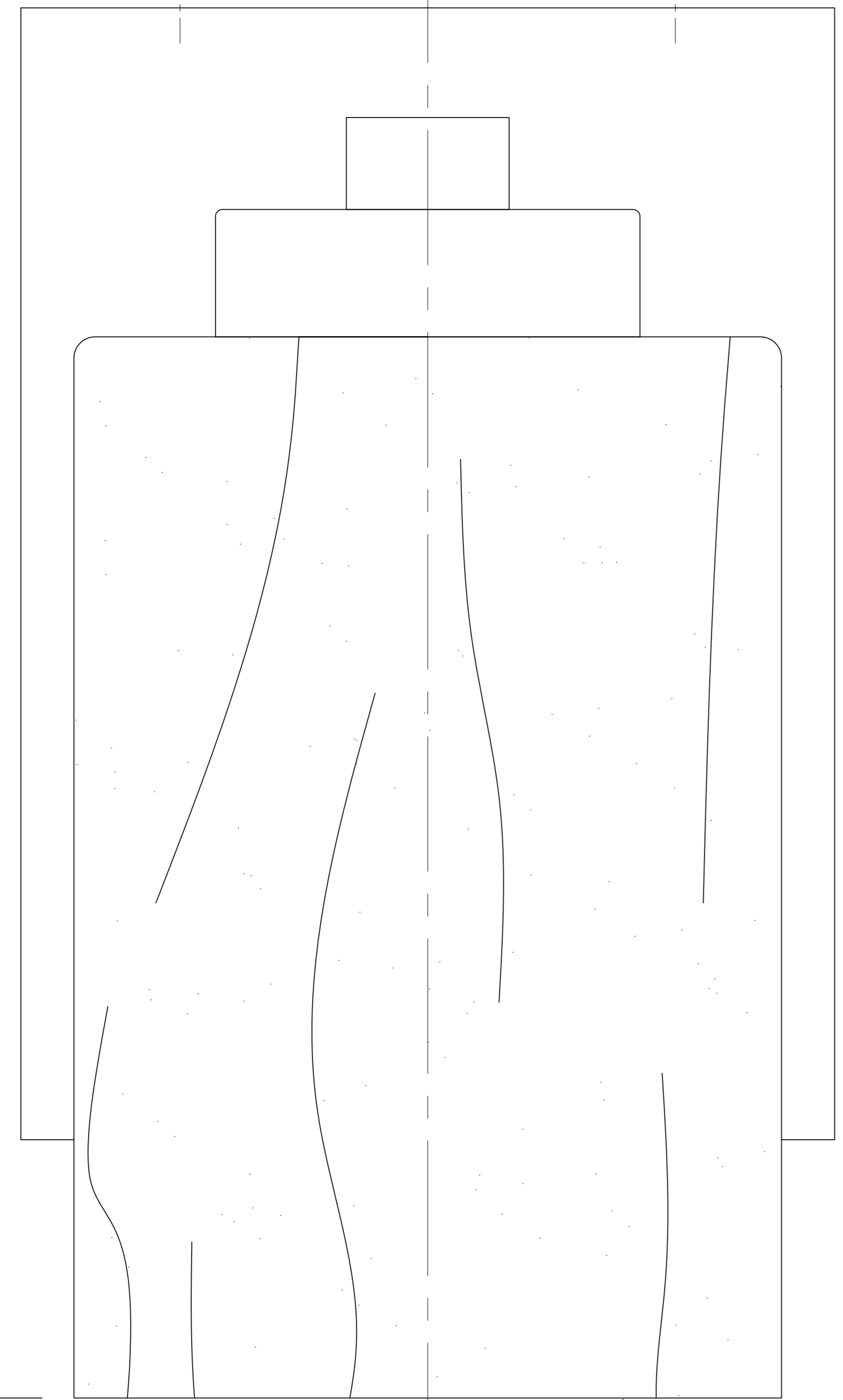
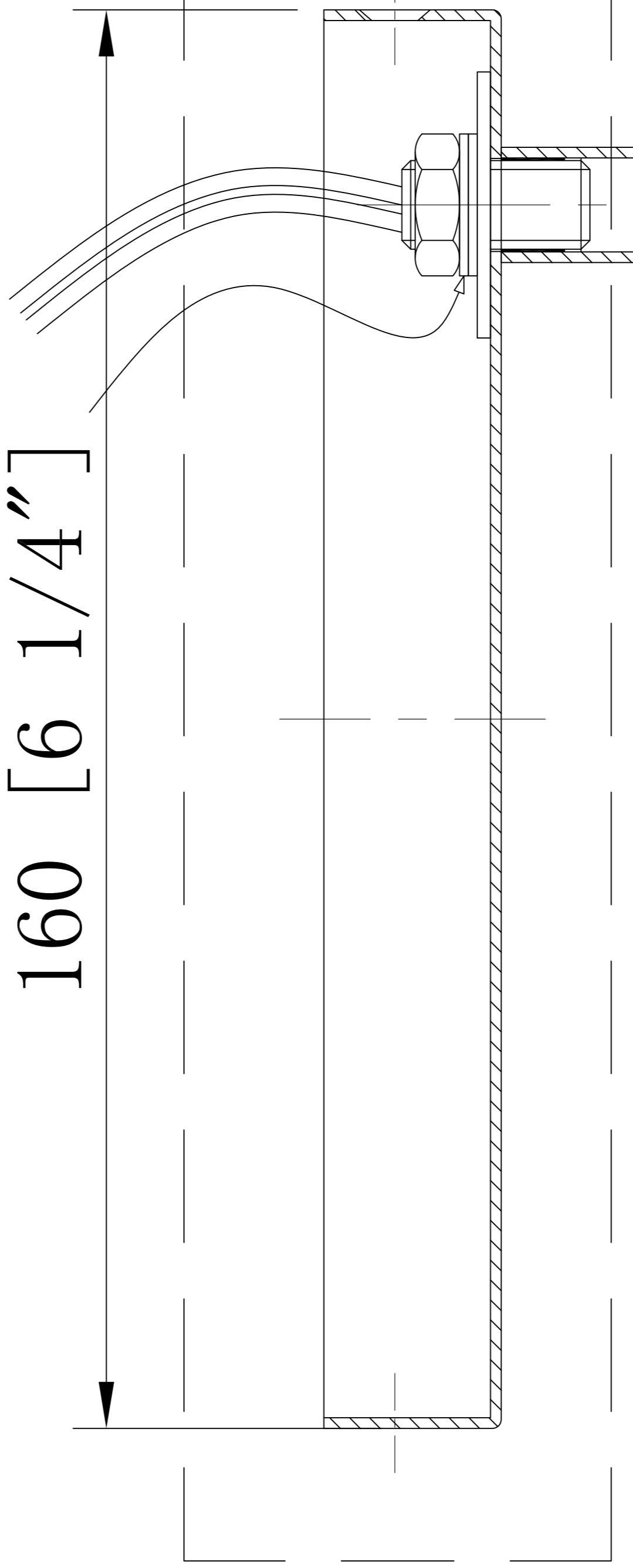


197 [7 3/4"]

115 [4 1/2"]



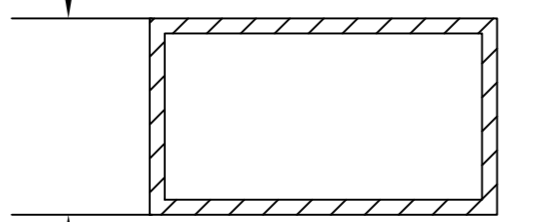
160 [6 1/4"]



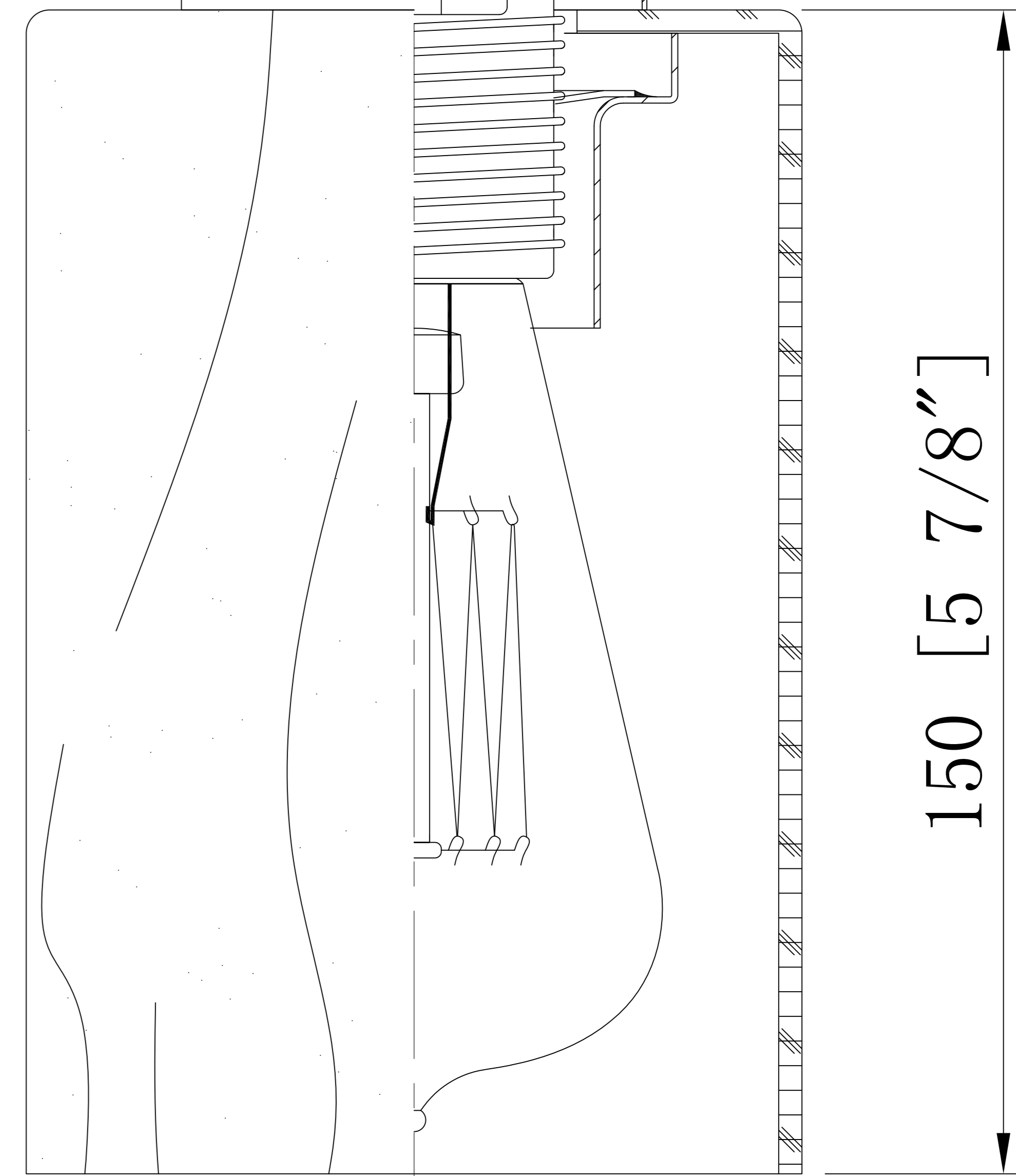
156 [6 1/8"]

13 [1/2"]

23 [7/8"]



150 [5 7/8"]



SQ100 [3 7/8"]

BARK GLASS

INNOVATIONS LIGHTING
 DESIGN COPYRIGHT - 12/12/2019
 ALL RIGHTS RESERVED AND MAY
 NOT BE DUPLICATED WITHOUT OUR
 WRITTEN PERMISSION

ITEM: 419-1W