

# Glass Installation Instructions

Pluto Floor Lamps 242210



## To Install Bulb & Glass (Figures 1 & 2)

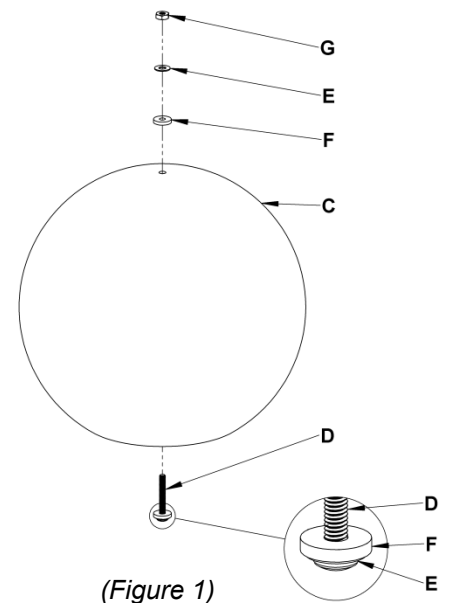
### Component Parts

A	Fixture	G	Nut
B	Socket	H	Cap
C	Glass	I	Dimmer Rod
D	Screw (2 Lengths provided)	J	Dimmer Knob
E	Steel Washer (2)		
F	Rubber Washer (2)		

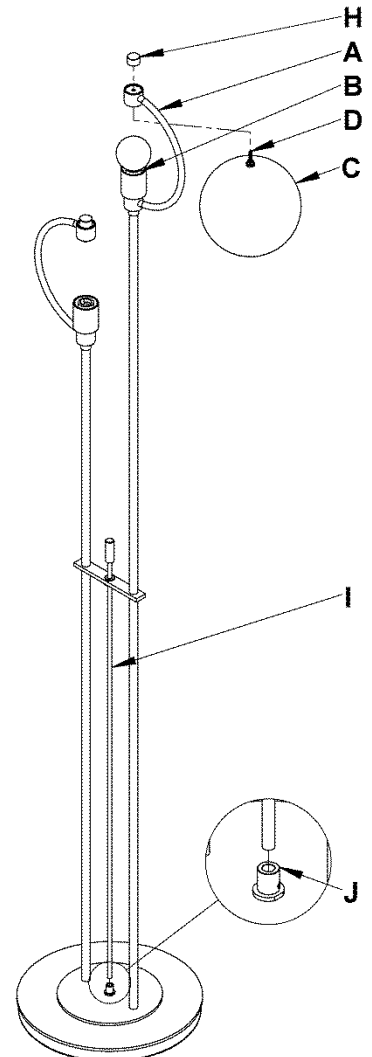
1. Carefully unpack the lamp from the carton.
2. Apply a drop of the supplied thread locking compound to the internal threads at the top of the dimmer knob (J). Run dimmer rod (I) down thru grommets and thread into dimmer knob (J). Note: Application of the thread locking compound is necessary to prevent the dimmer rod from loosening. Be certain to apply the compound.
3. Install bulb. (not included) *Bulb is included with the "C"*
4. Unthread cap (H) from screw (D). (shipped installed on fixture)
5. Remove nut (G), first steel washer (E), and first rubber washer (F) from screw (D). Save for later use. *Parts ship installed.*
6. Slip screw (D) with steel and rubber washer (E&F) up through hole in glass (C). **Note:** Due to thickness variation in the glass a second longer screw has been provided with your fixture to swap out if needed with the original screw removed from the cap. (Figure 1)
7. Slide remaining rubber washer (F) onto screw (D) followed by steel washer (E). Thread nut (G) onto screw (D) and tighten. (Figure 1)

**Note:** Be sure not to over tighten the nut.

8. Tilt glass (C) over bulb. Slide screw (D) up through hole in top of fixture (A). Thread cap (H) onto end of screw (D) to secure glass (C). (Figure 2)
9. Repeat steps for remaining piece of glass.



(Figure 1)  
version.



(Figure 2)

If you need further assistance, or find that you are missing any parts, please contact the dealer from which you purchased this product. We hope you enjoy your fixture!

\* Hubbardton Forge will not be liable for injury or damage caused by improper installation, lamping or use of this fixture.