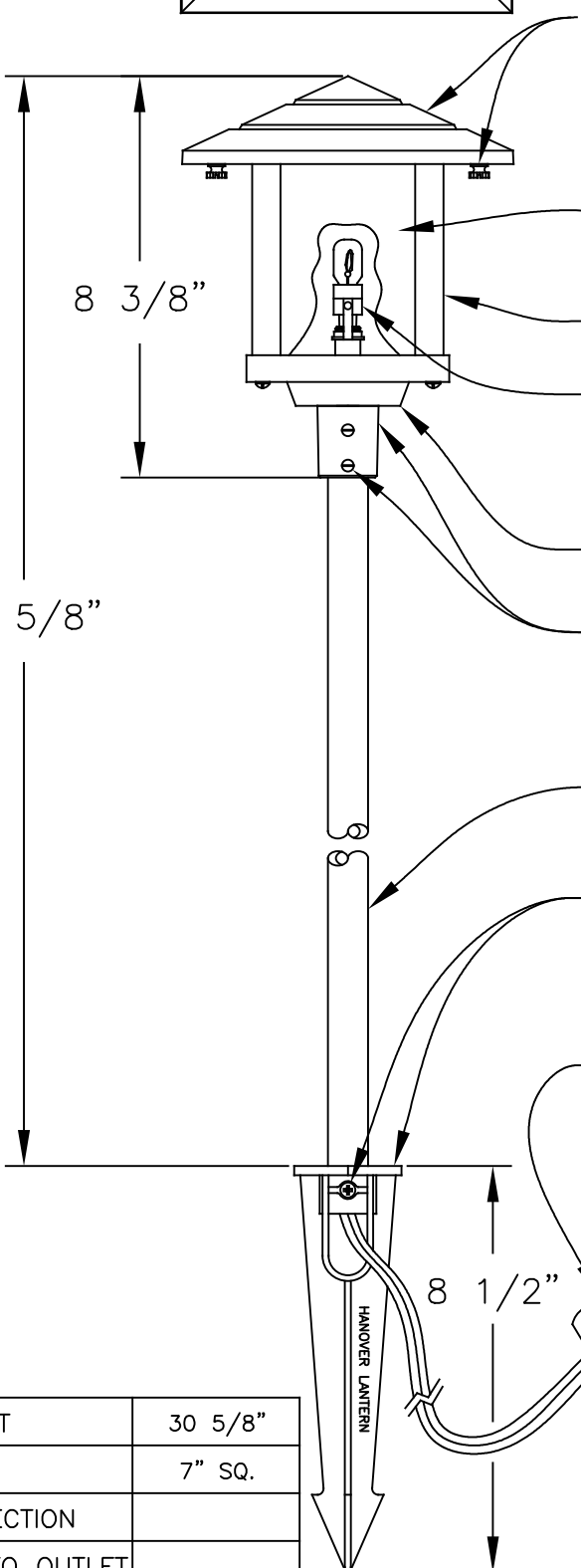


7" SQUARE



CAST ALUMINUM SQUARE ROOF SECURES TO CAGE ASSEMBLY WITH 2 BRASS THUMBSCREWS. TO RELAMP, REMOVE THUMBSCREWS.

4 OPALESCENT HONEY GLASS (OHG) PANELS.

4 EXTRUDED ALUMINUM CAGE LEGS.

WEDGE BASE SOCKET WITH 18 WATT LAMP AND 4 FEET OF #18-2 LOW VOLTAGE CABLE SUPPLIED.

CAST ALUMINUM SQUARE CAGE BOTTOM.

CAST ALUMINUM PIPE FITTER SECURES FIXTURE TO TUBING WITH (2) 1/4-20 S.ST'L. SET SCREWS.

1/2" SCHEDULE 40 X 24" LONG ALUMINUM TUBING.

8 1/2" LONG LOW VOLTAGE BLACK ABS FEMALE GROUND SPIKE WITH #8 S.ST'L. SCREW.

LOW VOLTAGE CABLE CONNECTOR TO BE USED WITH HANOVER LANTERN #10, #12, #14, OR #18 LOW VOLTAGE CABLE.

LANTERN WILL BE PREWIRED AND TESTED. ELECTRICAL COMPONENTS ARE U.L. LISTED. ALL MOUNTING HARDWARE SUPPLIED.

Drawing for illustration only - scale approximate



TITLE: TERRALIGHT "INDIAN WELLS" LOW VOLTAGE LANTERN

SCALE: 1=4

DATE: 02/17/20

DWG BY: ATV

DWG. NO. LVW28279

HEIGHT	30 5/8"
WIDTH	7" SQ.
PROJECTION	
TOP TO OUTLET	