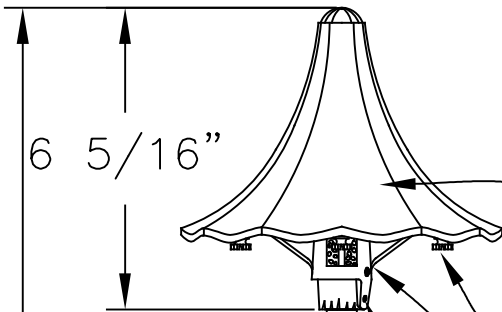


CAST ALUMINUM DECORATIVE SCALLOPED CAP.



WEDGE BASE SOCKET WITH 18 WATT LAMP AND 4 FEET OF #18-2 LOW VOLTAGE CABLE SUPPLIED.

CAST ALUMINUM SPIDER BRACKET SECURED TO CAP WITH (3) 8-32 BRASS THUMBSCREWS. TO RELAMP, REMOVE THUMBSCREWS AND SCALLOPED CAP.

1/4-20 S.ST'L. SET SCREW SECURES FIXTURE TO GARDEN PIPE.

5/8" DIA. X .065" WALL X 18" LG. ALUMINUM TUBING.

8 1/2" LONG LOW VOLTAGE BLACK ABS FEMALE GROUND SPIKE WITH #8 S.ST'L. SCREW.

LOW VOLTAGE CABLE CONNECTOR TO BE USED WITH HANOVER LANTERN #10, #12, #14, OR #18 LOW VOLTAGE CABLE.

LANTERN WILL BE PREWIRED AND TESTED. ELECTRICAL COMPONENTS ARE U.L. LISTED. ALL MOUNTING HARDWARE SUPPLIED.

Drawing for illustration only - scale approximate



TITLE: TERRALIGHT SCALLOPED CAP LOW VOLTAGE FIXTURE

22 7/8"

8 1/2"

HEIGHT	22 7/8"
WIDTH	6 5/8" D
PROJECTION	
TOP TO OUTLET	

SCALE:	DATE:	DWG BY:
1=4	08/03/02	JEK

DWG. NO.
LVW134