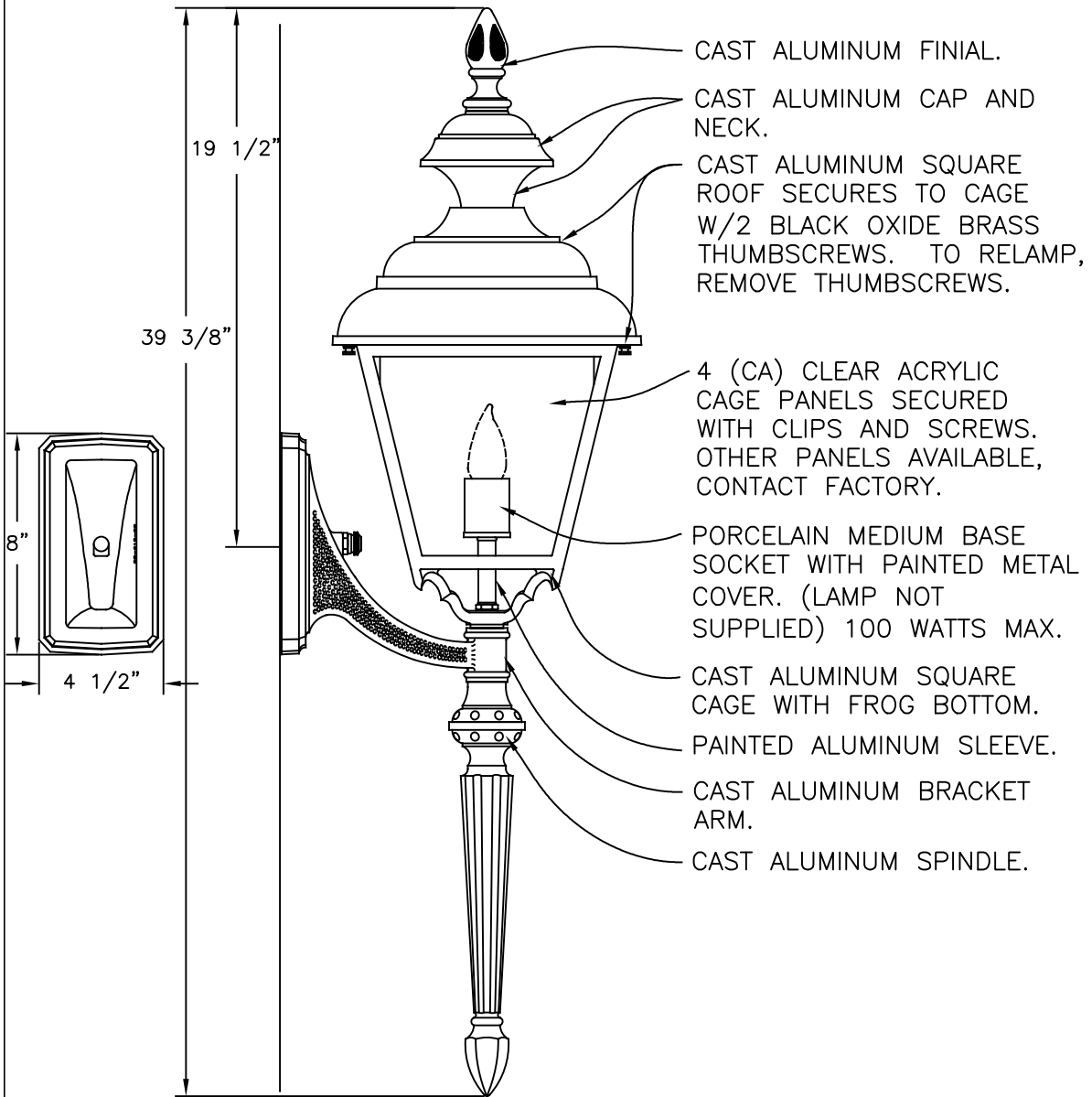


LANTERN TO BE ASSEMBLED AS SHOWN IN TOP VIEW— MOUNTED ACROSS FLATS.



LANTERN IS PREWIRED AND TESTED.
 ALL ELECTRICAL COMPONENTS ARE U.L. LISTED.
 ALL MOUNTING HARDWARE SUPPLIED.

HEIGHT	39 3/8"
WIDTH	11 1/4"
PROJECTION	13"
TOP TO OUTLET	19 1/2"

Drawing for illustration only – scale approximate



TITLE:
 "VALUE LINE"
 9900 SERIES
 WALL BRACKET
 LANTERN

SCALE: 1=4
 DATE: 02/17/05
 DWG BY: JEK

DWG. NO.
 B9974