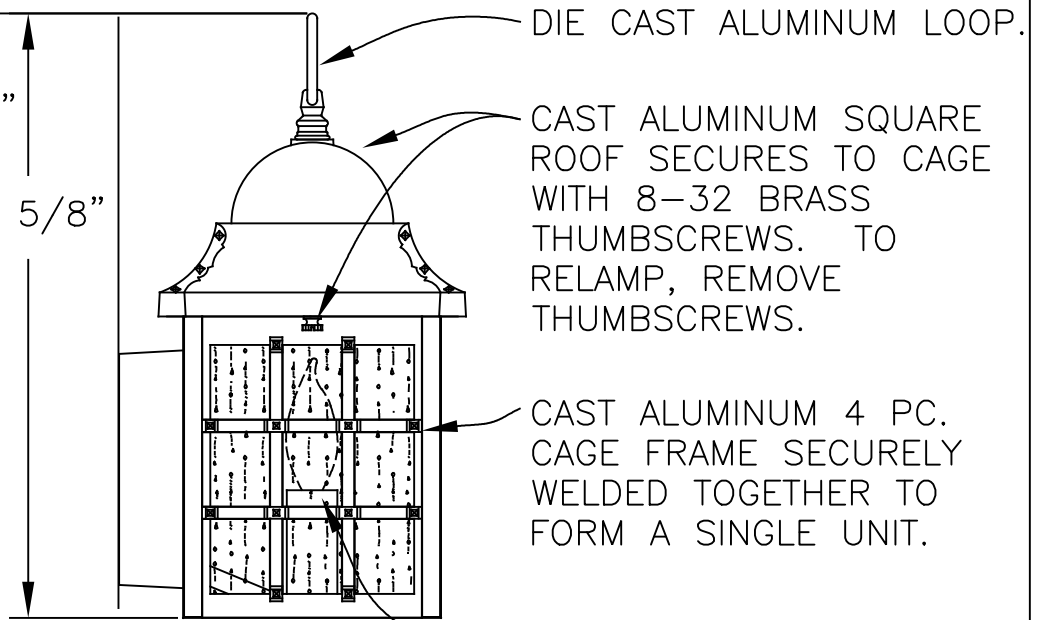
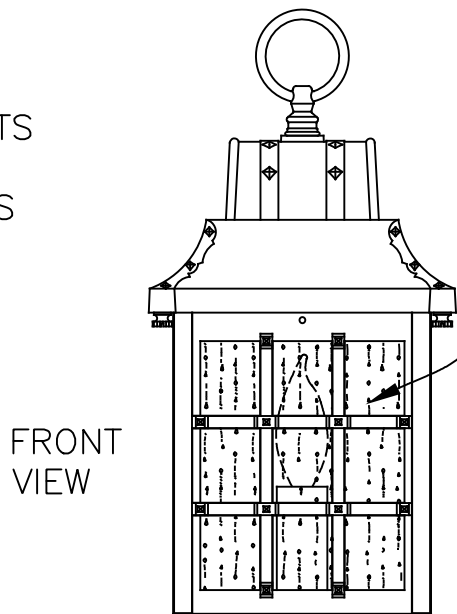


LANTERN IS PREWIRED AND TESTED. ELECTRICAL COMPONENTS ARE U.L. LISTED. MOUNTING HARDWARE IS SUPPLIED.



SINGLE LIGHT CANDELABRA SOCKET WITH PAINTED METAL COVER. 40 WATTS MAX. (LAMP NOT SUPPLIED).



FRONT VIEW

Drawing for illustration only – scale approximate

HEIGHT	12 5/8"	APPROVAL SIGNATURE:
WIDTH	6 3/8"	FINISH: _____
PROJECTION	7"	PANELS: _____
TOP TO OUTLET	9 1/8"	OPTIONS: _____

425 E. MIDDLE ST. HANOVER PA 17331  
PH: (717) 632-6464 - FAX: (717) 969-2930

SCALE: 1=4    DATE: 01/27/05    DWG BY: JEK

TITLE: "REVERE" 8000 SERIES WALL MOUNT LANTERN
DWG. NO. B8201