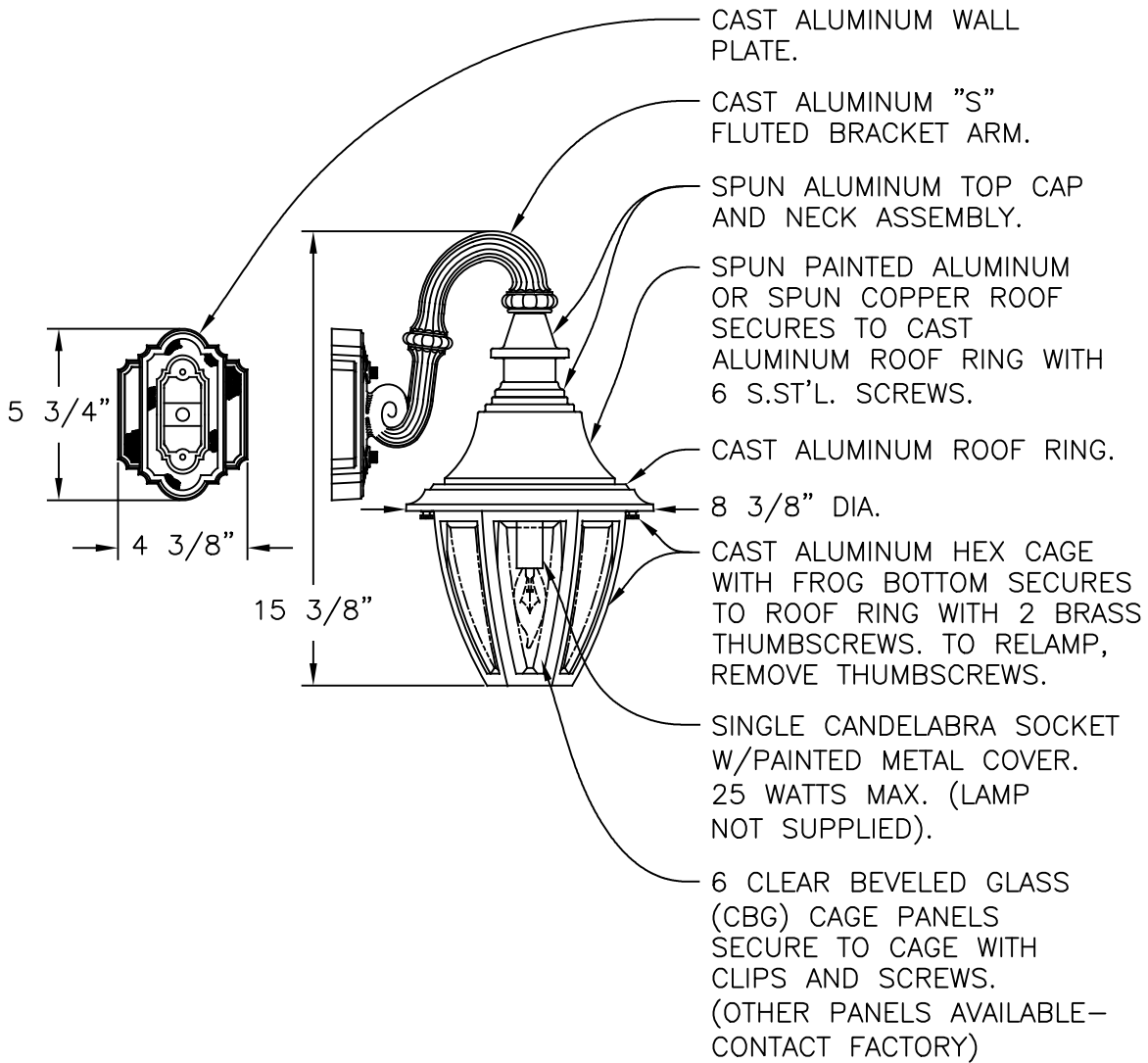


LANTERN TO BE ASSEMBLED AS SHOWN IN TOP VIEW—MOUNTED ACROSS FLATS.



CAST ALUMINUM WALL PLATE.

CAST ALUMINUM "S" FLUTED BRACKET ARM.

SPUN ALUMINUM TOP CAP AND NECK ASSEMBLY.

SPUN PAINTED ALUMINUM OR SPUN COPPER ROOF SECURES TO CAST ALUMINUM ROOF RING WITH 6 S.ST'L. SCREWS.

CAST ALUMINUM ROOF RING.

8 3/8" DIA.

CAST ALUMINUM HEX CAGE WITH FROG BOTTOM SECURES TO ROOF RING WITH 2 BRASS THUMBSCREWS. TO RELAMP, REMOVE THUMBSCREWS.

SINGLE CANDELABRA SOCKET W/PAINTED METAL COVER. 25 WATTS MAX. (LAMP NOT SUPPLIED).

6 CLEAR BEVELED GLASS (CBG) CAGE PANELS SECURE TO CAGE WITH CLIPS AND SCREWS. (OTHER PANELS AVAILABLE—CONTACT FACTORY)

LANTERN WILL BE PREWIRED AND TESTED.
ALL ELECTRICAL COMPONENTS ARE U.L. LISTED.
ALL MOUNTING HARDWARE SUPPLIED.

HEIGHT	15 3/8"
WIDTH	8 3/8" DIA.
PROJECTION	10 7/8"
TOP TO OUTLET	6 1/4"

Drawing for illustration only — scale approximate

Hanover
LANTERN

425 E. MIDDLE ST. HANOVER, PA 17331
PH: (717) 632-6464 - FAX: (717) 699-2930

SCALE: 1=4 DATE: 12/13/04 DWG BY: ATV

TITLE: "SUFFOLK"
52200 SERIES
BRACKET
LANTERN

DWG. NO. B522FRM