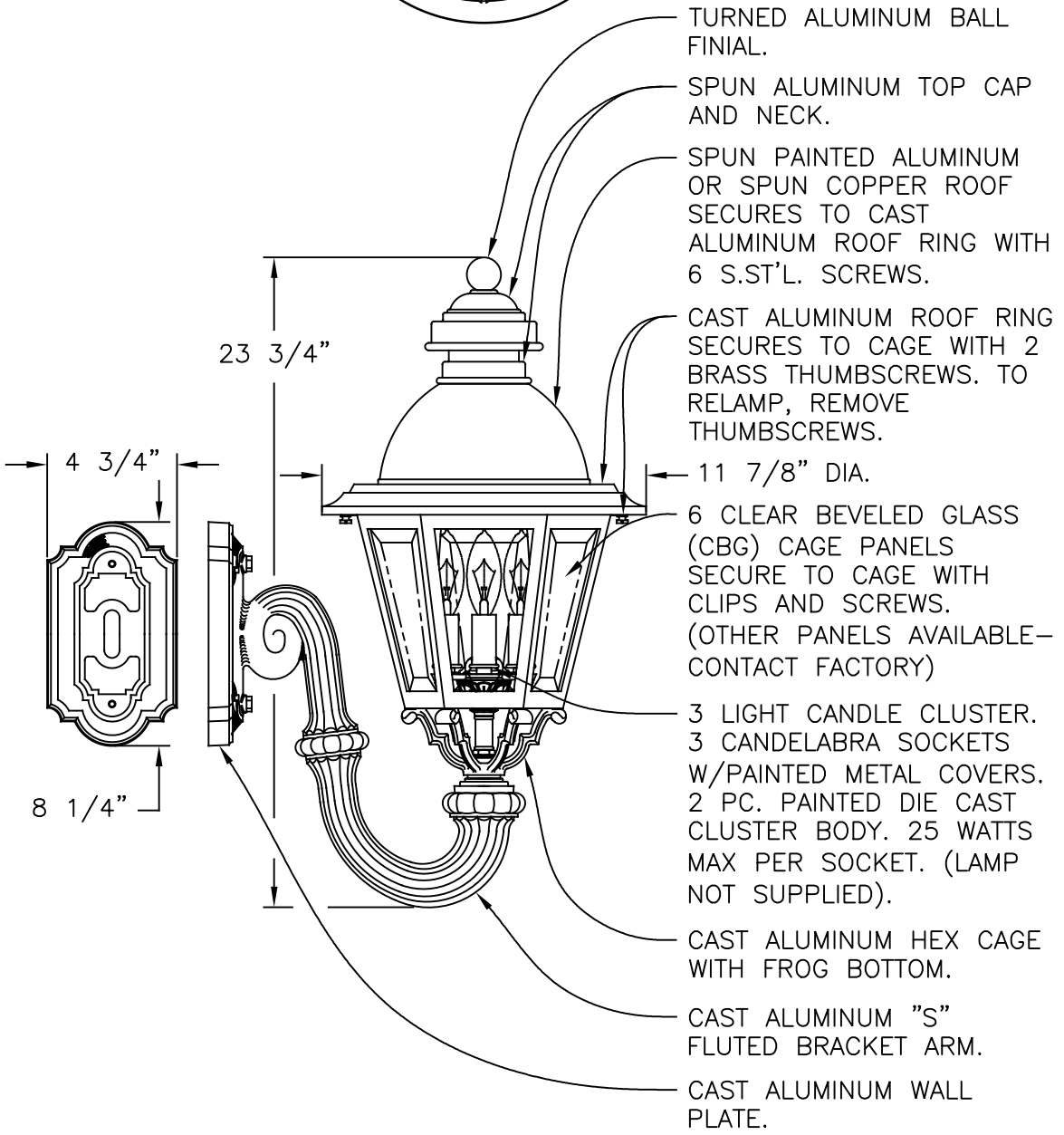


LANTERN TO BE ASSEMBLED AS SHOWN IN TOP VIEW— MOUNTED ACROSS FLATS.

16"



TURNED ALUMINUM BALL FINIAL.
 SPUN ALUMINUM TOP CAP AND NECK.
 SPUN PAINTED ALUMINUM OR SPUN COPPER ROOF SECURES TO CAST ALUMINUM ROOF RING WITH 6 S.ST'L. SCREWS.
 CAST ALUMINUM ROOF RING SECURES TO CAGE WITH 2 BRASS THUMBSCREWS. TO RELAMP, REMOVE THUMBSCREWS.
 11 7/8" DIA.
 6 CLEAR BEVELED GLASS (CBG) CAGE PANELS SECURE TO CAGE WITH CLIPS AND SCREWS. (OTHER PANELS AVAILABLE— CONTACT FACTORY)
 3 LIGHT CANDLE CLUSTER. 3 CANDELABRA SOCKETS W/PAINTED METAL COVERS. 2 PC. PAINTED DIE CAST CLUSTER BODY. 25 WATTS MAX PER SOCKET. (LAMP NOT SUPPLIED).
 CAST ALUMINUM HEX CAGE WITH FROG BOTTOM.
 CAST ALUMINUM "S" FLUTED BRACKET ARM.
 CAST ALUMINUM WALL PLATE.

23 3/4"

4 3/4"

8 1/4"

LANTERN WILL BE PREWIRED AND TESTED.
 ALL ELECTRICAL COMPONENTS ARE U.L. LISTED.
 ALL MOUNTING HARDWARE SUPPLIED.

HEIGHT	23 3/4"
WIDTH	11 7/8" DIA.
PROJECTION	16"
TOP TO OUTLET	13 3/4"

Drawing for illustration only — scale approximate

		TITLE: "SOUTH BEND" 51400 SERIES BRACKET LANTERN	
<small>425 E. MIDDLE ST. HANOVER, PA 17331 PH: (717) 632-6464 - FAX: (717) 699-2930</small>		SCALE: 1=4	DATE: 12/13/04
DWG BY: ATV		DWG. NO. B514FSM	