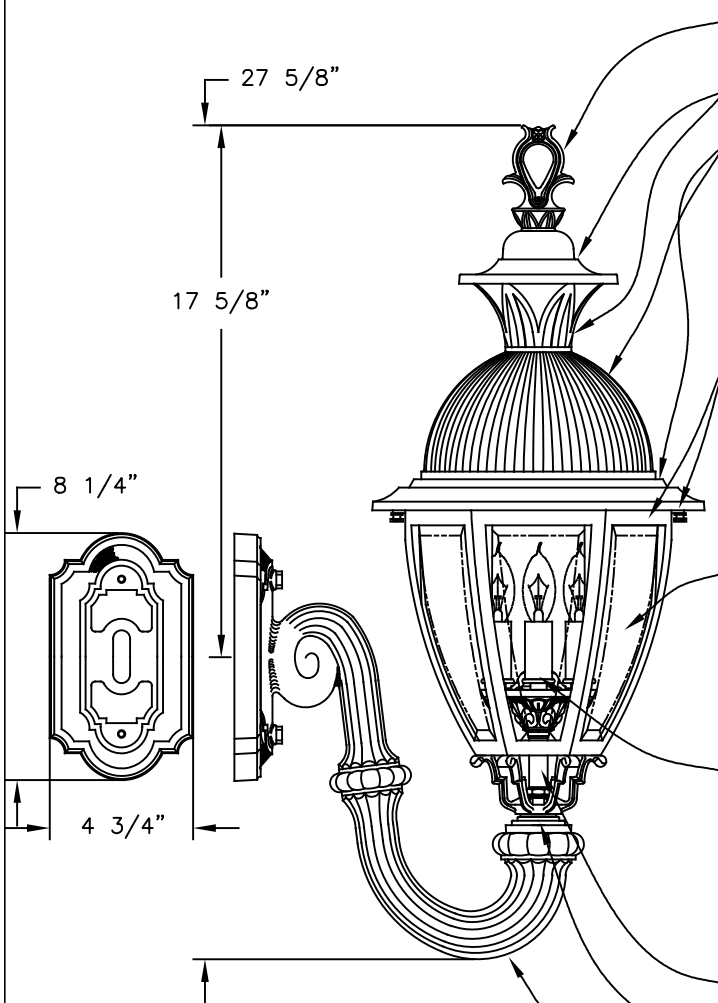


LANTERN TO BE ASSEMBLED AS SHOWN IN TOP VIEW— MOUNTED ACROSS FLATS.



- CAST ALUMINUM DECORATIVE FINIAL.
- CAST ALUMINUM CAP AND NECK.
- WHITE ACRYLIC OR CLEAR POLYCARBONATE RIBBED DOME SECURES TO CAST ALUMINUM ROOF RING W/S.ST'L. SCREWS. (CUSTOMER MUST SPECIFY WHITE OR CLEAR DOME.)
- CAST ALUMINUM HEX CAGE W/FROG BOTTOM SECURED TO ROOF W/(2) 8-32 BRASS THUMBSCREWS. TO RELAMP, REMOVE BOTH THUMBSCREWS.
- 6 (CBG) CLEAR BEVELED GLASS CAGE PANELS SECURED WITH CLIPS AND SCREWS. OTHER PANELS AVAILABLE—CONTACT FACTORY.
- 3 LIGHT CANDLE CLUSTER. 3 CANDELABRA SOCKETS WITH PAINTED METAL COVERS. 2 PC. PAINTED CLUSTER BODY (LAMPS NOT SUPPLIED) 25 WATT MAX. PER SOCKET.
- PAINTED ALUMINUM SLEEVE.
- CAST ALUMINUM CAP.
- CAST ALUMINUM "S" FLUTED BRACKET ARM SECURES TO CAST ALUMINUM WALLPLATE WITH S.ST'L. BOLTS.

LANTERN WILL BE PREWIRED AND TESTED. ELECTRICAL COMPONENTS ARE U.L. LISTED. MOUNTING HARDWARE IS SUPPLIED.

HEIGHT	27 5/8"
WIDTH	11" D
PROJECTION	15 5/8"
TOP TO OUTLET	17 5/8"

Drawing for illustration only — scale approximate

	TITLE: "MERION" 15400 SERIES WALL BRACKET LANTERN			
	<small>425 E. MIDDLE ST. HANOVER PA 17331 PH: (717) 632-9464 - FAX: (717) 699-2830</small>	SCALE: 1=4	DATE: 06/14/04	DWG BY: JEK