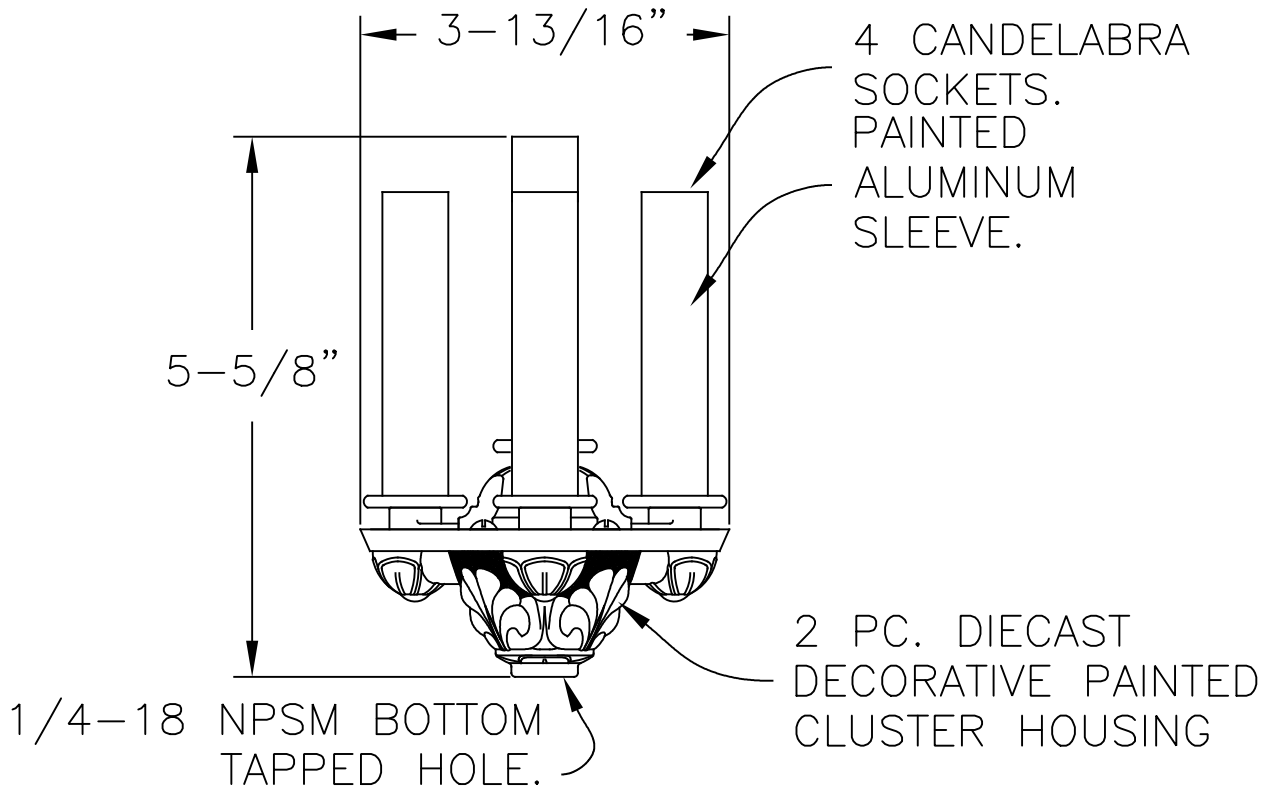


<u>FIXTURE FINISH/COLOR</u>	<u>CLUSTER/SLEEVE COLOR</u>
ARB,BLK,BRN,DBZ,FGN,GRA,LBR,RBZ	→ MATTE BLACK
VTC	→ BROWN
IRN,SRT	→ RUST
WHT	→ WHITE
ABS,ASI,ARD,VBZ,VCP,VGN,ACP,WBZ	→ ANTIQUE TO MATCH



TOP VIEW
SCALE 1=4



4 LIGHT CLUSTER
3 AROUND
1 CENTER

NOTES:
LEADS SUPPLIED
ARE 36" LONG.

Drawing for illustration only - scale approximate

HEIGHT	5-5/8"	APPROVAL SIGNATURE:
WIDTH	3-13/16"	FINISH: _____
PROJECTION	XXXXXX	PANELS: _____
TOP TO OUTLET	XXXXXX	OPTIONS: _____

425 E. MIDDLE ST. HANOVER PA 17331
PH: (717) 632-6464 - FAX: (717) 969-2930

SCALE: 1=2	DATE: 05/28/20	DWG BY: KWF
---------------	-------------------	----------------

TITLE: B1-4 CANDLE CLUSTER
DWG. NO. B1-4