

CAST ALUMINUM SQUARE ROOF SECURES TO CAGE W/(2) 8-32 BRASS THUMBSCREWS. TO RELAMP, REMOVE THUMBSCREWS.

4 OPAL ACRYLIC (OA) CAGE PANELS SECURE W/CLIPS AND SCREWS. OTHER PANELS AVAILABLE-CONTACT FACTORY.

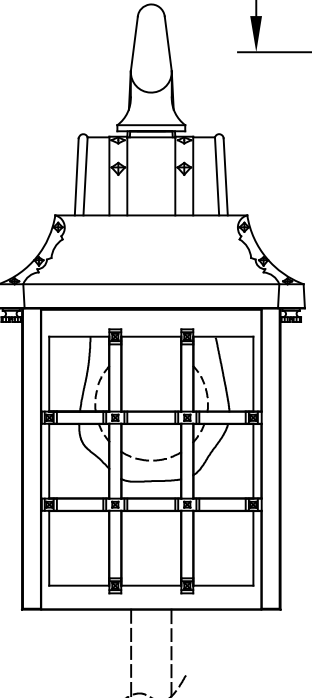
6 3/8" ACROSS FLATS

INVERTED PORCELAIN MEDIUM BASE SOCKET. 60 WATTS MAX. (LAMP NOT SUPPLIED).

CAST ALUMINUM SQUARE OPEN BOTTOM CAGE ASSEMBLY.

CAST ALUMINUM DECORATIVE ARM WITH (2) 1/4-20 S.ST'L. SET SCREWS TO SECURE FIXTURE TO TUBING.

1/2" NPT PIPE THREADED ONE END. (PIPE MUST BE ORDERED SEPARATELY).



**FRONT VIEW**

ACCESSORY PIPE AVAILABLE NUMBERS	
6390	12" LONG
6394	20" LONG
6393	30" LONG

LANTERN WILL BE PREWIRED AND TESTED. ELECTRICAL COMPONENTS ARE U.L. LISTED. ALL MOUNTING HARDWARE SUPPLIED.

Drawing for illustration only - scale approximate

HEIGHT	12 5/8"
WIDTH	6 3/8"
PROJECTION	11 3/8"
TOP TO OUTLET	

425 E. MIDDLE ST. HANOVER PA 17331  
PH: (717) 632-6464 - FAX: (717) 969-2930

TITLE: TERRALIGHT "REVERE" INCAN. BRACKET GARDEN LANTERN

SCALE: 1=4	DATE: 11/05/02	DWG BY: JEK
------------	----------------	-------------

DWG. NO. 6332