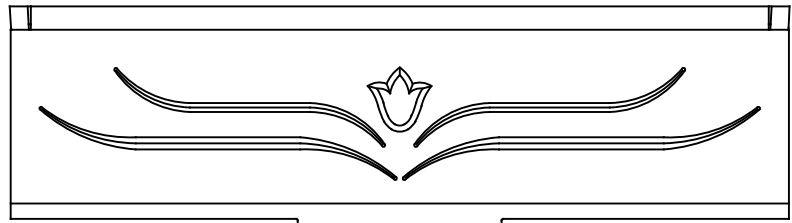


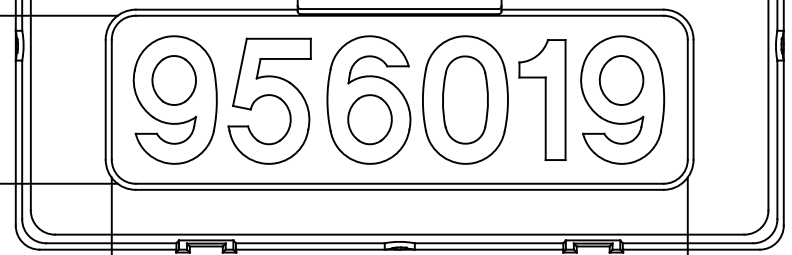
TOP VIEW



16 1/4"

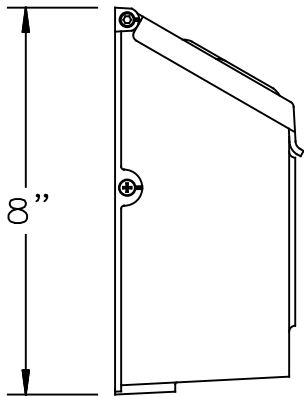


3 1/2"



12"

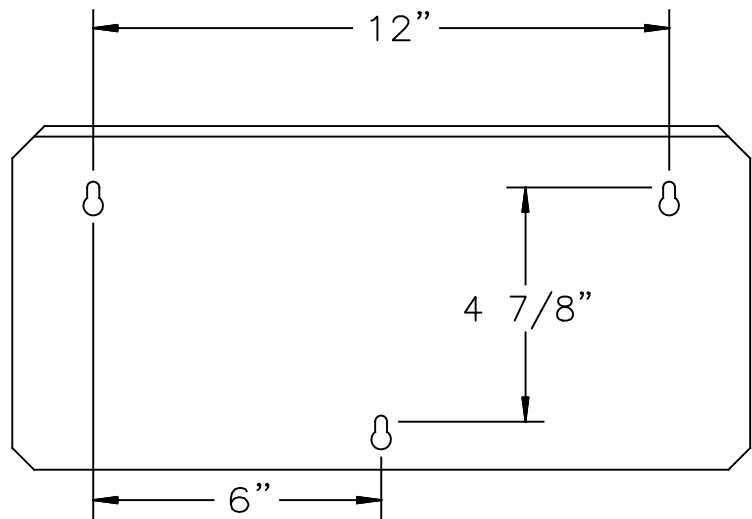
FRONT VIEW



8"

SIDE VIEW


3 PIECE MAILBOX ASSEMBLY. TOP CAST ALUMINUM FLIP LID IS HINGED FOR ACCESS TO MAIL. MAIN HOUSING IS CAST ALUMINUM WITH 3 1/2" HIGH X 12" WIDE LETTERING AREA. (MAXIMUM SIX LETTERS OR NUMBERS). CONTACT FACTORY FOR LETTER AND NUMBER TYPES. REAR OF BOX IS GALVANIZED G60 SHEET STEEL. THREE KEYWAY SLOTS SUPPLIED IN REAR FOR MOUNTING TO WALL. THREE #10 STAINLESS STEEL SCREWS WITH PLASTIC LIPPED SCREW ANCHORS SUPPLIED TO SECURE MAILBOX TO WALL. (CUSTOMER MUST SUPPLY THREE 1/4" DIA. X 1 1/2" DEEP HOLES). (SEE TEMPLATE FOR DIMENSIONS AND MOUNTING INSTRUCTIONS). THREE STAINLESS STEEL PAN HEAD SELF TAPPING SCREWS HOLD ASSEMBLY TOGETHER.



MOUNTING HOLE LOCATION

Drawing for illustration only – scale approximate

HEIGHT	8"	APPROVAL SIGNATURE:
WIDTH	16 1/4"	FINISH: _____
PROJECTION	3 3/4"	PANELS: _____
TOP TO OUTLET		OPTIONS: _____



425 E. MIDDLE ST. HANOVER PA 17331
PH: (717) 632-6464 - FAX: (717) 969-2930

SCALE: 1=4	DATE: 06/05/97	DWG BY: DLS
------------	----------------	-------------

TITLE: WALL BRACKET MAILBOX WITH FLIP LID
DWG. NO. 185