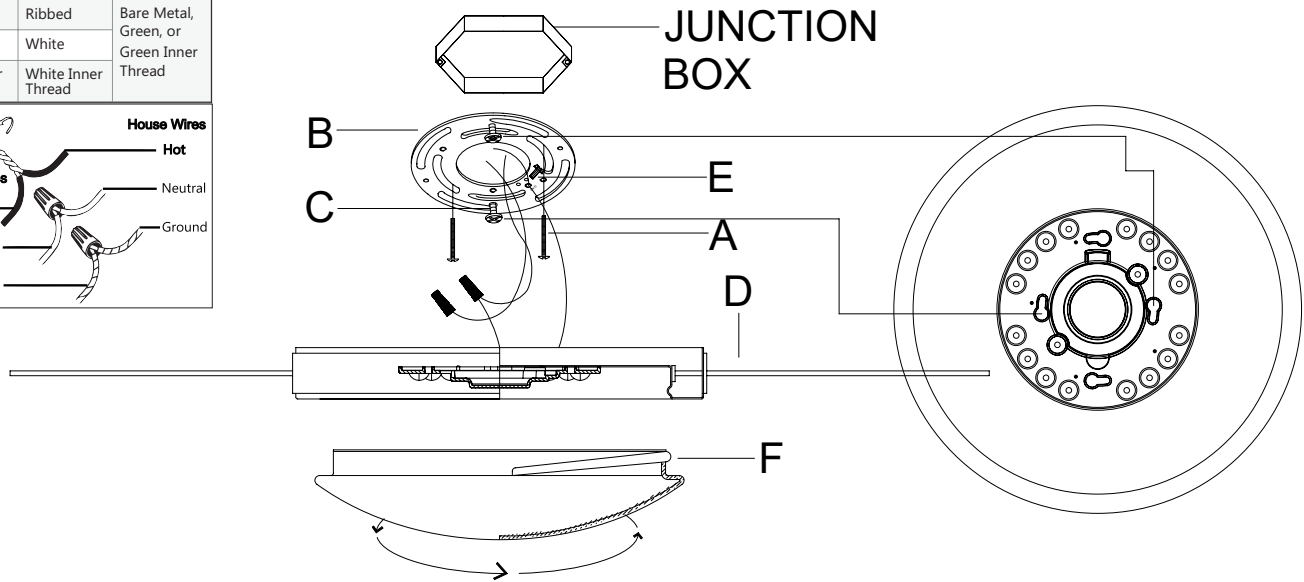
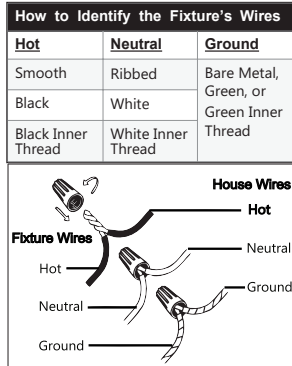


Assembly Instructions: 9126-FM24

IMPORTANT:

- ALL INSTALLATION WORK SHOULD BE DONE BY ACCREDITED PROFESSIONAL.
- SHUT OFF POWER SUPPLY AT FUSE OR CIRCUIT BREAKER!
- USE ONLY THE SPECIFIED BULBS. DO NOT EXCEED THE MAXIMUM WATTAGE!

For Customer Service, contact the place of purchase to arrange for replacement parts.



PREPARING FOR INSTALLATION

Remove all of the contents from the carton. See the important notes above. Shut off the power at the circuit breaker and completely remove the old fixture from the wall, including the old mounting strap.

1. Mounting strap (B) contains several pairs of threaded holes. Hold canopy (D) up to mounting strap (B). Line up the holes in canopy (D) with the holes in mounting strap (B). Thread mounting screws (C) into mounting strap (B) in alignment with these holes as shown in the above diagram, as they will protrude from the mounting strap for later attachment to the canopy. Remove the canopy (D) for now and set aside for later. Place mounting strap (B) over the junction box and secure in place with mounting screws (A). Tighten the screws securely with a screwdriver. Pull the house wires through the center of mounting strap (B).

CONNECTING THE WIRES

2. Have an assistant support the fixture's weight while completing the wiring. Refer to the wiring diagram and attach the fixture's wires to the power supply wires from the junction box. Connect Hot to Hot (transparent wire with black inner thread, black, or smooth wire) Neutral to Neutral (transparent wire with white inner thread, white, or ribbed wire), and Ground to Ground (transparent wire with green inner thread, green wire, or copper). Twist the ends of the wire pairs together, and then twist on a wire connector. Make sure all twists are in the same direction. If there is no house ground wire coming from the junction box, locate ground screw (E) on the mounting bracket/mounting strap and wrap the fixture's ground wire around the ground screw. Use a screwdriver to tighten the top of ground screw (E) onto the wires and into the mounting bracket/mounting strap. Tuck the wires into the junction box.

FINISHING THE INSTALLATION

3. Lift canopy containing LED panel (D) up to the ceiling and align holes to fit over protruding mounting screws (C). Push canopy (D) onto the mounting screws (C) until you can see the screw heads protrude from the holes in the canopy (D). To secure the canopy (D) to the mounting strap (B) twist the canopy (D) in the counter-clockwise direction so that the mounting screws fit snug into the canopy's keyholes as shown in the diagram above. Twist glass (F) into the canopy (D) in the counter-clockwise direction shown on the diagram above until secure.

Your installation is now complete. Turn on the power and test the fixture.

CLEANING TIPS

Treat the fixture gently! Regular cleaning will reduce the need for deep cleaning. For regular cleaning, turn off the light and wipe down the fixture with a clean lint-free cotton or microfiber cloth. Never spray cleaner directly onto the fixture.

