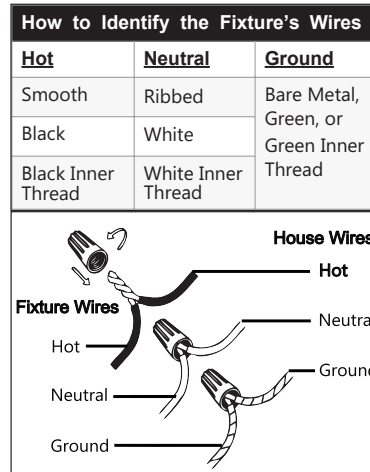
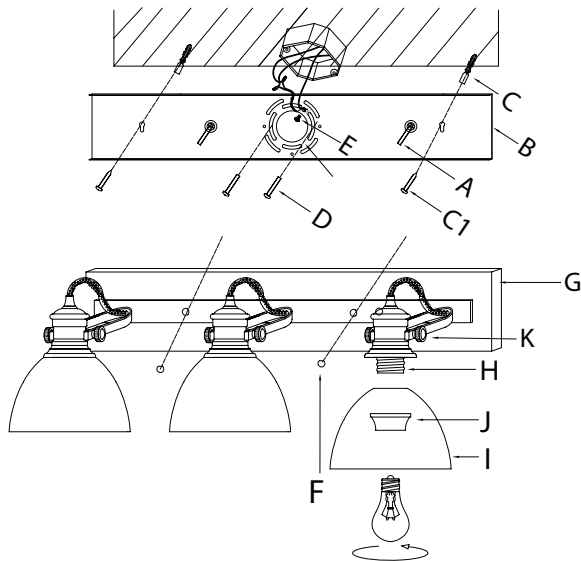


Assembly Instructions: 3118-BA2/2SF, BA3/3SF (Hines)

IMPORTANT:

- ALL INSTALLATION WORK SHOULD BE DONE BY ACCREDITED PROFESSIONAL.
- SHUT OFF POWER SUPPLY AT FUSE OR CIRCUIT BREAKER!
- USE ONLY THE SPECIFIED BULBS. DO NOT EXCEED THE MAXIMUM WATTAGE!

For Customer Service, please contact the place of purchase.



*This fixture may be mounted on a wall or ceiling.

PREPARING FOR INSTALLATION

Remove all of the contents from the carton. See the important notes above. Shut off the power at the circuit breaker and completely remove the old fixture from the wall/ceiling, including the old mounting strap.

1. Mounting bracket (B) may be attached to backplate (G). If so, use a screwdriver to remove deco nuts (F). Place the deco nuts aside for future use. Leave mounting screws (A) in place on mounting bracket (B). Mounting bracket (B) contains several pairs of threaded holes. Find the pair of holes that matches the spacing of the holes on your junction box and on backplate (G). Pull the house wires through the center of mounting bracket (B). Place mounting bracket (B) over the junction box and secure mounting bracket (B) to the junction box with mounting screws (D) and a screwdriver. Be sure that the mounting bracket is level. Tighten the screws securely.
2. For extra security, use plastic anchors (C) over mounting screws (C1) to secure mounting bracket (B) to the wall/ceiling.

CONNECTING THE WIRES

3. Have an assistant support the fixture's weight while completing the wiring. Refer to the wiring diagram and attach the fixture's wires to the power supply wires from the junction box. Connect Hot to Hot (transparent wire with black inner thread, black, or smooth wire) Neutral to Neutral (transparent wire with white inner thread, white, or ribbed wire), and Ground to Ground (transparent wire with green inner thread, green wire, or copper). Twist the ends of the wire pairs together, and then twist on a wire connector. Make sure all twists are in the same direction. If there is no house ground wire coming from the junction box, locate ground screw (E) on the mounting bracket/mounting strap and wrap the fixture's ground wire around the ground screw. Use a screwdriver to tighten the top of ground screw (E) onto the wires and into the mounting bracket/mounting strap. Tuck the wires into the junction box.

FINISHING THE INSTALLATION

5. Place the fixture's backplate (G) over mounting screws (A) so that mounting screws (A) protrude through the holes in the front of backplate (G).
6. Thread deco nuts (F) onto mounting screws (A).
7. Slide shades (I) over sockets (H) and twist socket rings (J) onto the threads of the sockets to secure in place.
8. Install light bulbs (not provided) in accordance with the fixture's specifications. Do not exceed the maximum recommended wattage. Shade pivots via screw joint (K).

Your installation is now complete. Turn on the power and test the fixture.

CLEANING TIPS

Treat the fixture gently! Regular cleaning will reduce the need for deep cleaning. For regular cleaning, turn off the light and wipe down the fixture with a clean lint-free cotton or microfiber cloth. Never spray cleaner directly onto the fixture.