

**Florestone  
Model WMD  
Utility Sink**

45<sup>5</sup>/<sub>8</sub>" x 21<sup>5</sup>/<sub>8</sub>" x 13<sup>1</sup>/<sub>2</sub>"

WMD (1/Box):  
Capacity

Weight:  
62 lbs.  
38 gallons

**Architect's  
Specifications**

Furnish and install Utility Sink Model WMD as manufactured by Florestone Products Co. Unit to have two sinks, and come with wall mounting bracket and hardware, and drain plugs with hardware.

Color will be white and will be resistant to fading and abrasion.

Unit to have 1<sup>1</sup>/<sub>2</sub>" drain opening.

**Optional and Accessories**

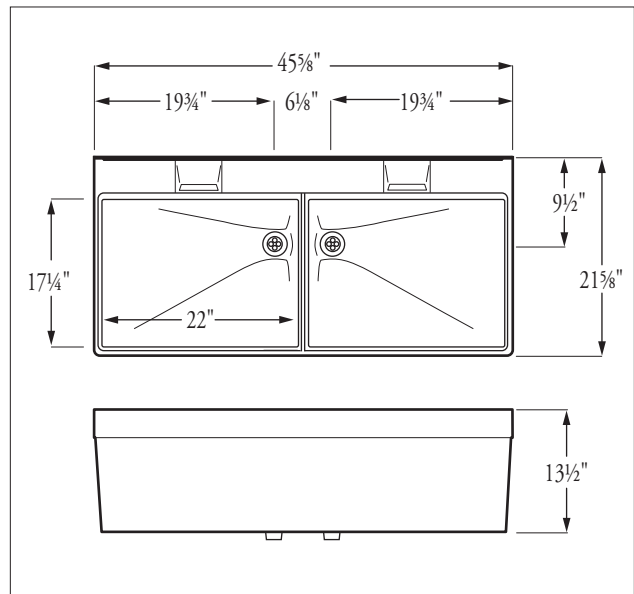
WMD Accessory Kit

**Standards**

I.A.P.M.O. Listed File 2647  
ANSI-Z-124.6-97



CSA Test • Warnock Hersey Listed:  
CAN/CSA-B45.0 - CAN/CSA-B45.5



Inside Tray Dimensions: 17<sup>1</sup>/<sub>4</sub>" x 22"



**FLORESTONE PRODUCTS CO., INC.**

2851 Falcon Drive • Madera, CA 93637

T. 559.661.4171 • T. 800.446.8827

F. 559.661.2070 • florestone.com