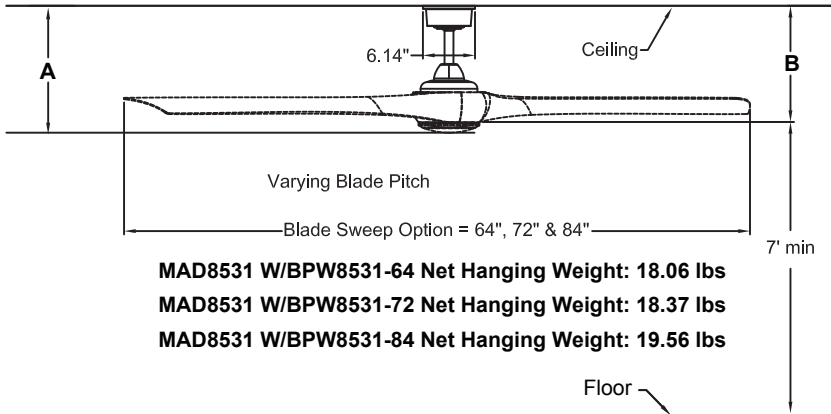


WRAP™ CUSTOM



MAD8531 ** Ceiling Fan



Available Finishes	
BN	Brushed Nickel
BL	Black
GR	Matte Greige
MW	Matte White
DZ	Bark Bronze

INSTALLATION REQUIREMENTS:

Fan must be attached to a securely anchored electrical junction box capable of withstanding a load of at least 35 lbs.

ELECTRICAL REQUIREMENTS:

Requires a grounded electrical supply line of 120 volts AC, 60 Hz, 15 amp circuit.

MOTOR SPECS:

153 x 25 FS sensorless DC motor is designed for optimal performance with this fan.

BLADES:

3 bladed blade sets are available in plastic materials— all sold separately. See our catalog or visit www.fanimation.com for blade options.

CONTROL OPTIONS:

TR205D hand-held remote control is included. Push button remote control with 16 fan speeds, fresh air, reverse, infinite light levels, fan/light timer, home away, safe exit and off button. Optional TW206D wall control and WFR8531 WiFi receiver unit are available—sold separately. Instructions are provide with each control.

LIGHTING OPTIONS:

LK8530- One 18-watt dimmable LED.

DOWNROD OPTIONS:

Fan comes with a 1" dia. x 8" long downrod (DR1-8). Optional downrods are available in 12", 18", 24", 36", 48", 60" and 72" lengths. A downrod coupler is available for installations requiring a downrod longer than 72". The fan can be mounted on a sloped ceiling up to 27°. Optional sloped ceiling ball kits (SCB1-52) are available for slope angles greater than 27° and up to 42°. Optional close-to-ceiling kit is available as well—sold separately. Call technical support for more information.

LOCATION USE:

Fan is rated for dry and damp locations.

	A	B
Fan w/8" downrod	15.96"	15.33"
Fan w/12" downrod	19.96"	19.33"
Fan w/18" downrod	25.96"	25.33"
Fan w/24" downrod	31.96"	31.33"
Fan w/36" downrod	43.96"	43.33"
Fan w/48" downrod	55.96"	55.33"
Fan w/60" downrod	67.96"	67.33"
Fan w/72" downrod	79.96"	79.33"

Airflow / Energy Efficiency Info test with BPW8531-84 Blade in 84" sweep					
Fan Speed	Max RPM	CFM	CFM / Watts	Amps	Watts
High (16 th)	81	11206	366	0.43	31
Med (9 th)	56	7859	827	0.15	10
Low (1 th)	29	3516	1172	0.05	3

Energy Guide FTC Measured with BPW8531-84 Blades in 84" sweep			
Power (W _{ave})	Total Air Delivery (CFM _{ave})	Estimated Yearly Energy Cost (\$)	Ceiling Fan Efficiency (CFM/W)
21	8762	6	420