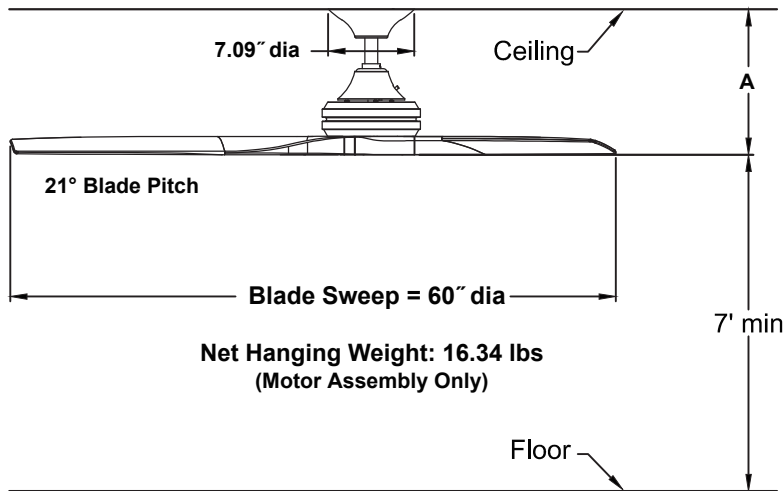


SPITFIRE™

MA6721B
Ceiling Fan**



	A
Fan w/4.5" downrod	12.00"
Fan w/12" downrod	19.50"
Fan w/18" downrod	25.50"
Fan w/24" downrod	31.50"
Fan w/36" downrod	43.50"
Fan w/48" downrod	55.50"
Fan w/60" downrod	67.50"
Fan w/72" downrod	79.50"

Available Finishes	
BN	Brushed Nickel
DZ	Dark Brone
GR	Matte Greige
BS	Brushed Satin Brass
DF	Drift wood
MW	Matte White
BL	Black
GZ	Galvanized

INSTALLATION REQUIREMENTS:

Fan must be attached to a securely anchored electrical junction box capable of withstanding a load of at least 35 lbs.

ELECTRICAL REQUIREMENTS:

Requires a grounded electrical supply line of 120 volts AC, 60 Hz, 15 amp circuit.

MOTOR SPECS:

188 x 25 AC motor is designed for optimal performance with this fan.

BLADE SET:

3 bladed blade sets are available in wood material — all sold separately. See our catalog or visit www.fanimation.com for blade options.

LIGHTING OPTIONS:

LK6721B – One 18 watt dimmable LED.

CONTROL OPTIONS:

TR500 hand-held remote control is included. Push button remote control with variable fan speeds, infinite light levels and off button. Optional WC1WH, WC2WH, WR500WH and WR501WH wall controls, BTCR9, CRL4WH hand held remote controls and BTR9 and WFR50 receiver are available —sold separately. Instructions are provided with each control.

DOWNROD OPTIONS:

Fan comes with 1" dia. x 4.5" long downrod (DR1-4.5). Optional downrods available in 12", 18", 24", 36", 48", 60", and 72" lengths. A downrod coupler is available for installations requiring a downrod longer than 72". Fan must use 12" or longer downrod, and can be mounted on a sloped ceiling up to 19°. Most sloped ceiling in stallations require a downrod longer than the standard 4.5" downrod. Optional close-to-ceiling kit is available as well—sold separately. Optional sloped ceiling kits (SCK1-52) are available for up to 42°. Call technical supportfor more information.

LOCATION USE:

Fan is rated for dry and damp locations.

Airflow / Energy Efficiency Info (120V)					
Fan Speed	Max RPM	CFM	CFM / Watts	Amps	Watts
High	130	6641	108	0.52	61
Med	98	4614	128	0.40	36
Low	54	2433	175	0.25	14

Energy Guide FTC			
Power (Wave)	Total Air Delivery (CFMave)	Estimated Yearly Energy Cost (\$)	Ceiling Fan Efficiency (CFM/W)
41	3776	\$ 12	92