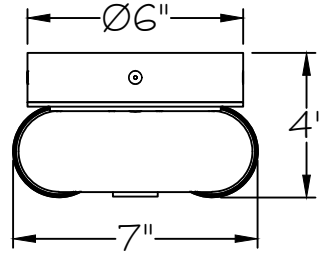
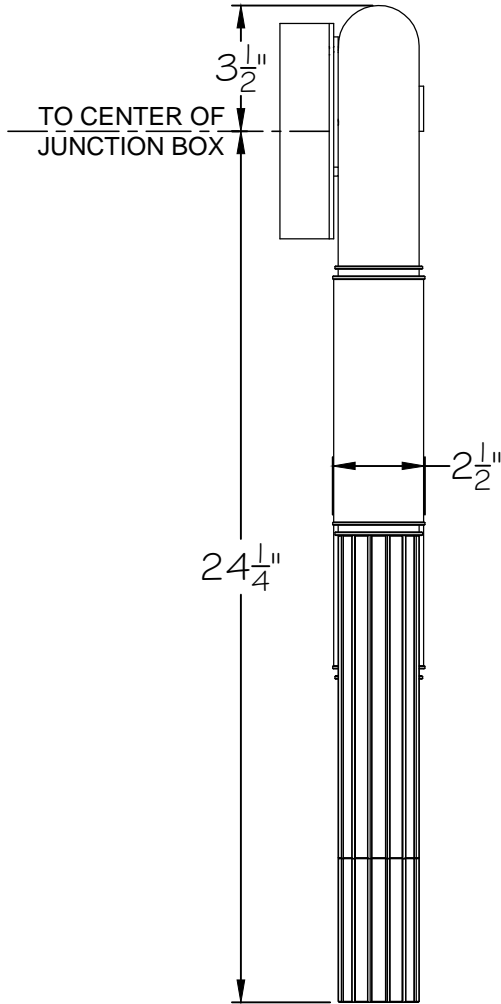


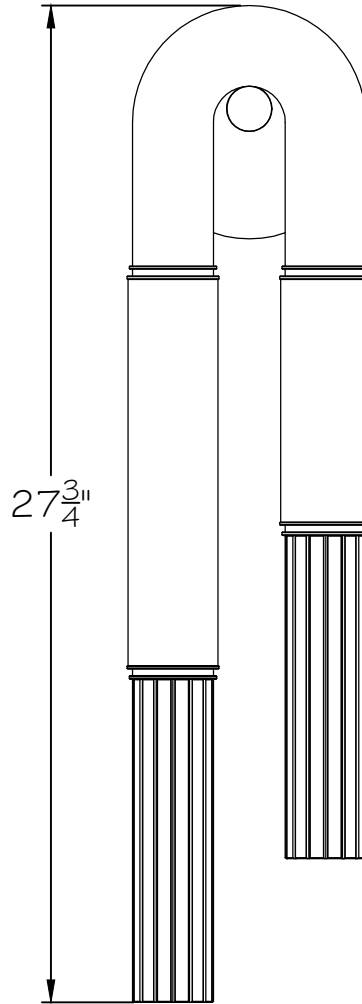
CUSTOMER REFERENCE DRAWING



TOP VIEW



SIDE VIEW



FRONT VIEW

STYLE 123- ---
 BODY FINISH ———
 RING FINISH ———
 SKIN OPTION ———

STYLE CONFIGURATIONS:

-1 __ (BLACK)	-2 __ (BRONZE)	-3 __ (GOLD LEAF)	-4 __ (SILVER LEAF)	-5 __ (SOFT GOLD)	-6 __ (SFT. BRONZE)	-7 __ (SOFT SILVER)
-.1 _ (POLISH.BRASS)	-.2 _ (POL. NICKEL)					
-. _0 (NO SKIN)	-. _1 (CHARCOAL)	-. _2 (SMOKE)				



This drawing, specifications and the product depicted are the exclusive property of Fine Art Handcrafted Lighting®. In compliance with US copyright and patent requirements, notice is hereby given that this document and the product depicted shall not be copied, altered or used in any manner without the expressed written consent of Fine Art Handcrafted Lighting®.

www.finearthl.com

Tel:(305) 821-3850
 FINE ART LAMPS®

Fax:(305) 513-5736

STYLE NUMBER:

922550

DATE:

3/13/2023