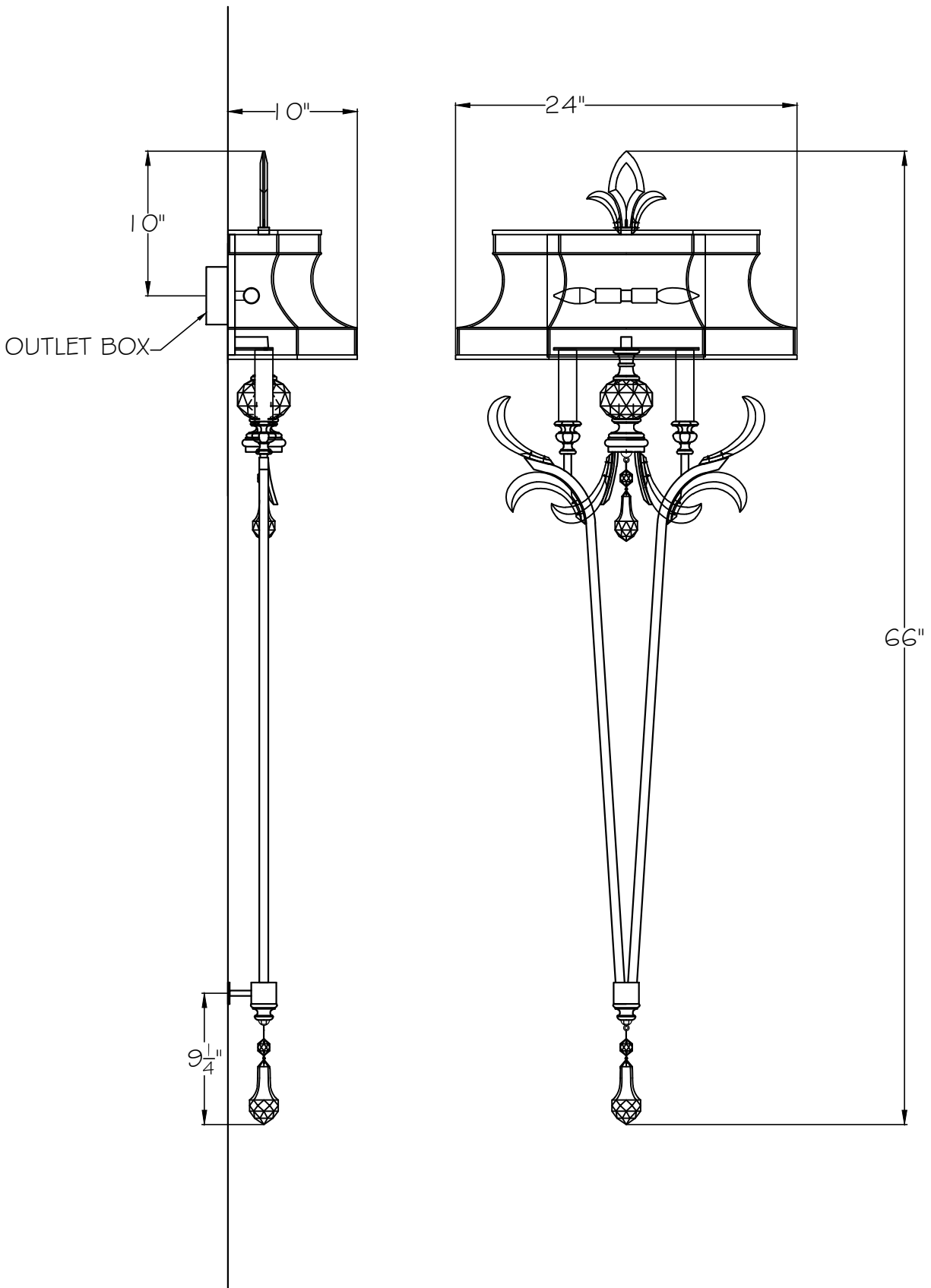


CUSTOMER REFERENCE DRAWING



FINE
ART
LAMPS®
EST. 1940

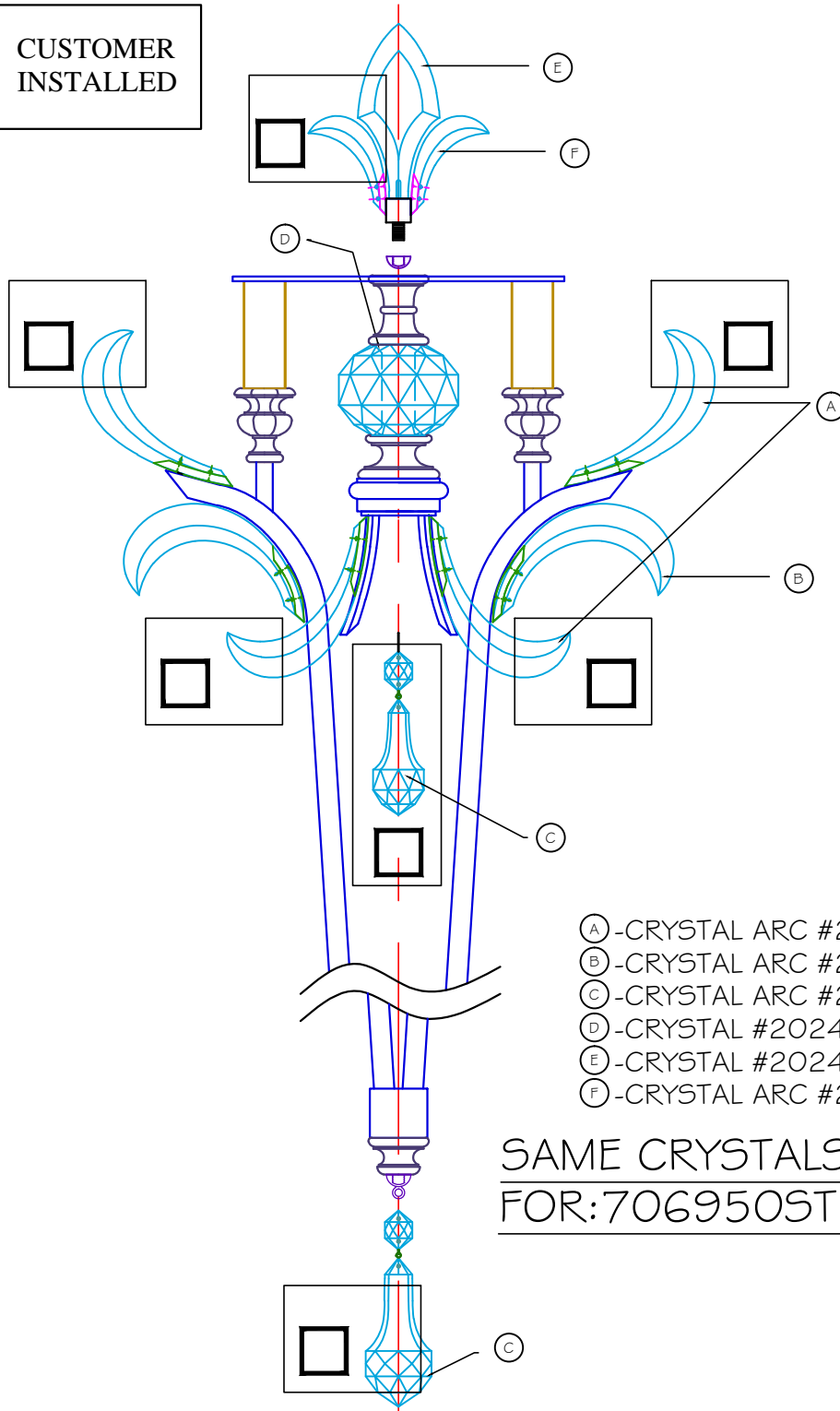
This drawing, specifications and the product depicted are the exclusive property of FINE ART LAMPS®. In compliance with US copyright and patent requirements, notice is hereby given that this document and the product depicted shall not be copied, altered or used in any manner without the expressed written consent of FINE ART LAMPS®.
www.fineartlamps.com
Tel:(305) 821-3850 Fax:(305) 821-1564

STYLE NUMBER:
706950
DATE:
06/06/13

FAL CRYSTAL LOCATION

REV.	ECN # IF APPLIC.	REVISION DESCRIPTION	REQD. BY	DRAFTER	DATE
A	NA	ORIGINAL RELEASED VERSION	NA	RB	01/22/07
B	N/A	ADD NOTES	AC	RB	02/29/08
C	N/A	UPDATED	MC	RB	03/18/08

CUSTOMER
INSTALLED



- (A) -CRYSTAL ARC #202454 (X4)
- (B) -CRYSTAL ARC #202434 (X2)
- (C) -CRYSTAL ARC #202423 (X2)
- (D) -CRYSTAL #202449 (X1)
- (E) -CRYSTAL #202424 (X1)
- (F) -CRYSTAL ARC #202437 (X2)

SAME CRYSTALS LOCATIONS
FOR: 706950ST & 707050ST



This drawing and specifications are the exclusive property of BLUMBERG INDUSTRIES, INC. issued in strict confidence and shall not, without the prior written permission of BLUMBERG INDUSTRIES, INC., be produced, copied or used for any purpose whatsoever except the manufacture articles for FINE ART LAMP S.

5770-5772 Miami Lakes Dr. East / Miami Lakes, FL 33014
Ph: (305) 821-3850 FAX: (305) 821-1564

STYLE NUMBER: 706950ST

PART NUMBER: #00790565

ASSY. INSTRUCTION TEMPLATE

DRAFTER: RB

STYLE ENGINEER:

DATE: 03/18/08

REVISION: C

SHEET: /