

PROJECT:

SPEC NO:

MODEL NO:
VF41018WH

QUANTITY:

DRAWING APPROVAL STATUS

- APPROVED
- APPROVED AS NOTED
- NOT APPROVED, REVISE AS NOTED

AUTHORIZED SIGNATURE

DATE:

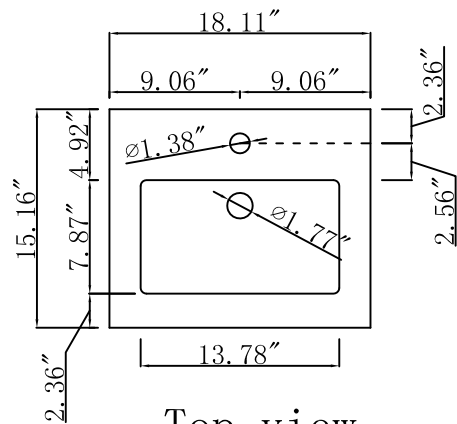
FOR PROPOSAL ONLY. ALL DIMENSIONS TO BE VERIFIED

Drawing Date: 2019-3-15

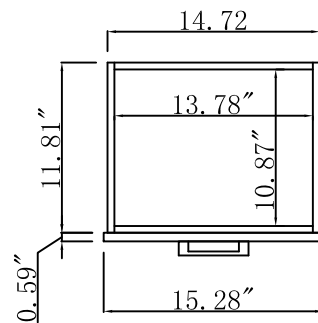
REVISIONS

①	
②	
③	
④	
⑤	

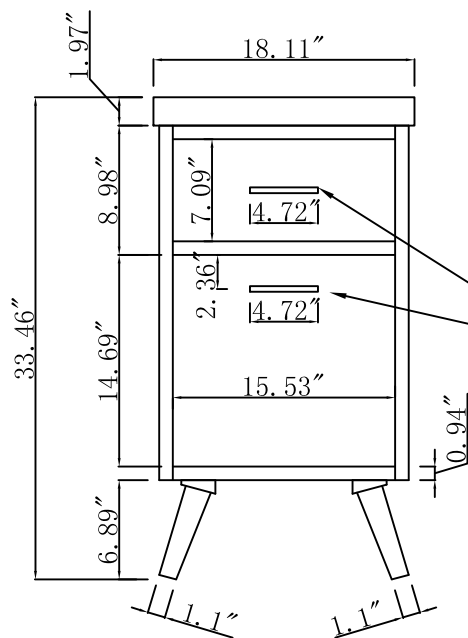
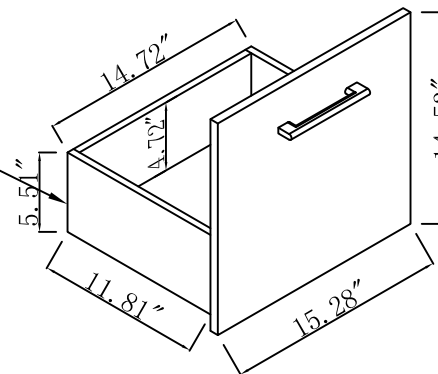
DWG. NO.



Top view



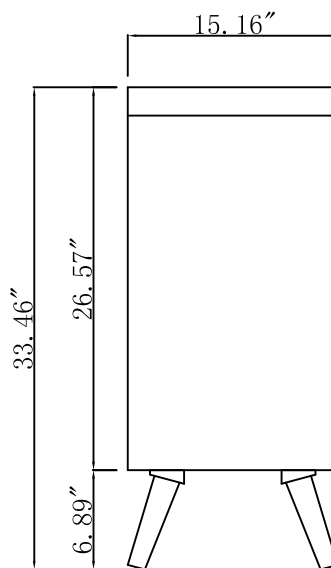
Drawer top view



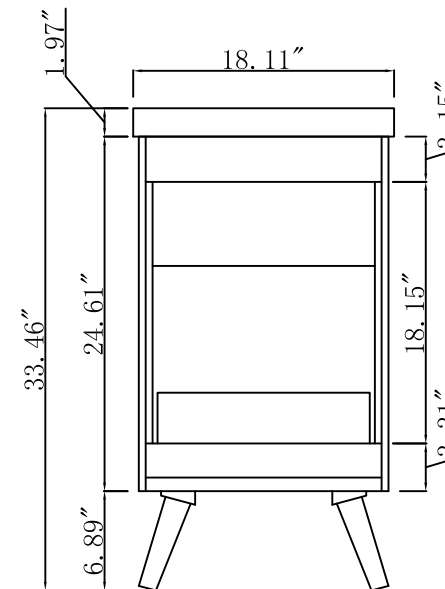
Front view



Length: 4.72"



Side view



Back view

Model #	VF41018WH	"Number of Doors "	NO	"Table: seating capacity"	N/A	"drawer glide extension"	0.75 extension	"cabinet interior width"	13"
Finish	Matte White	"Finished Back "	YES	"upholstery color"	N/A	"drawer glide material"	Metal	"cabinet interior depth"	23.66"
"Hand Painted"	YES	"Hardware finish "	Black	"upholstery pattern"	N/A	"drawer dividers"	NO	"leg height"	6.89"
"Mirror type"	N/A	"Assembly "	YES	"cushion material"	N/A	"Drawer Interior finish"	Light Maple	"leg width"	1.11"
"Beveled glass"	N/A	"Product Width "	18.11"	"base finish"	N/A	"Ball Bearing Glides"	NO	"leg depth"	1.11"
"Frame material "	MDF	"Product Depth"	15.16"	"powder coated finish"	N/A	"soft close drawer glides"	YES	"gloss finish"	NO
"Solid wood construction "	Solid wood legs	"Product Height"	33.46"	"base material"	MDF	"Number of cabinets"	1	"stackable"	YES
"Drawers Included "	YES	"Package LENGTH"	23	"top material"	Porcelain	"shelf height"	N/A	"leg design"	Turned legs
"Number of Drawers"	1	"Packaged WIDTH"	20	"wood species"	MDF	"shelf width"	N/A	"Armoires: ring slots"	N/A
"Joinery Type "	Souare Ended Butt Joint	"Packaged HEIGHT"	32.3	"tip over restraint strap "	N/A	"shelf depth"	N/A	"Armoires: hooks"	N/A
"Drawer railing "	Metal	"Package Weight(lbs) "	55	"shape of top"	Rectangle	"Shelf thickness"	N/A	"armoires: mirror dimensions "	N/A
"Drawer Width"	14.72"	"Product Weight(lbs)"	64	"lift top"	NO	"Any certification?" (CARB/TSCA VI)	YES	"door thickness"	0.59"
"Drawer Depth "	11.81"	"Shipping Type"	Small Parcel	"shelf material"	N/A	"California Proposition 65 warning required"	YES	"false drawers?"	1
"Drawer Height "	5.51"	"table top width"	18.11"	"adjustable shelves"	N/A	"Drawers Interior Height"	13.78"	"sink type "	Porcelain
"Shelves "	NO	"table top finish"	White	"Drawer Handle designs"	Bar pulls	"Drawer Interior Width"	10.87"	"# of faucet holes "	1
"Number of Shelves "	NO	"glass top tempered"	NO	"saftey stop"	N/A	"Drawer Interior Depth"	4.72"		
"Doors included "	NO	"table top maximum weight "	66 LBS	"felt lined drawers"	N/A	"cabinet interior height"	16.38		

DWG. NO.:

MODEL NO.:

ALTERATIONS



FOR PROPOSAL ONLY ALL DIMENSIONS TO BE VERIFIED

SCALE:

DWG. BY:

CHECKED BY:

DATE:

PROJECT:

Qty:

Color:

DRAWING TITLE:

FINISH:

