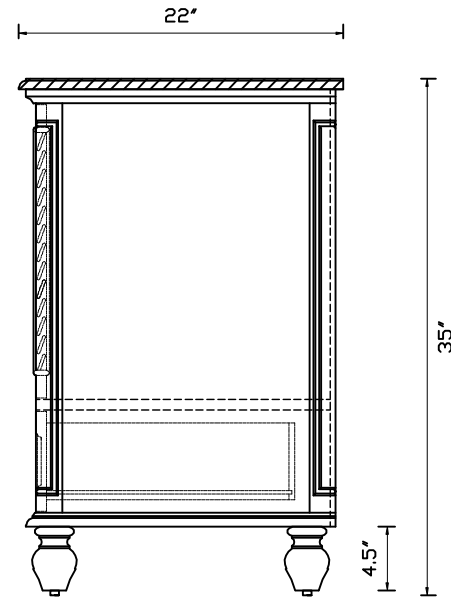
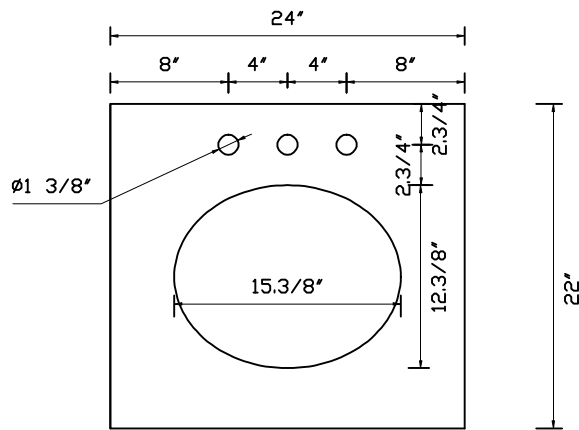


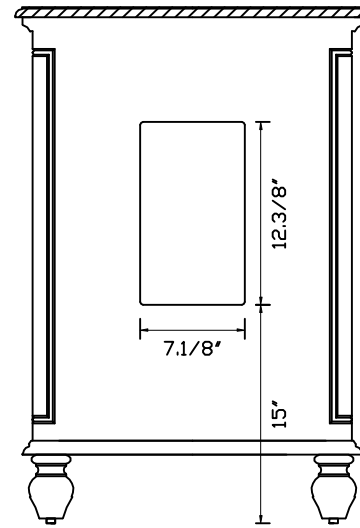
Front view



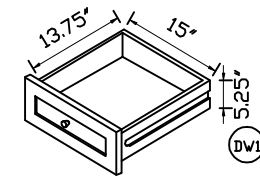
Side view



Top view



Back view



Drawer Interior Size

DWG. NO.

MODEL NO:
VF30524VM

SPEC NO:

QUANTITY:

DATE:
12/10/2018

CHECKED BY:

FOR PROPOSAL ONLY ALL DIMENSIONS TO BE VERIFIED

PROJECT:

COLOR:

FINISH:

REVISIONS

- 1
- 2
- 3
- 4
- 5
- 6



500-550 E. Erie Avenue
Philadelphia PA 19134

1-888-388-3390

| | | | | | | | | | | | |
|--|-----------------|----------------------------|--------------|------------------------------|------------|------------------------------|-----------------|------------------------------------|--------------------|--|--------------------------|
| Model # | VF30524VM | Finish | vintage mint | Mirror type | N/A | Beveled glass | N/A | Frame material | Solid wood and MDF | DWG. NO. | |
| Solid wood construction | Solid wood legs | Drawers Included | YES | Number of Drawers | 1 | Joinery Type | French Dovetail | Drawer railing | Metal | MODEL NO: VF30524VM | |
| Drawer Width (in) | 17-3/4" | Drawer Depth (in) | 15 | Drawer Height (in) | 6 | Shelves | NO | Number of Shelves | NO | SPEC NO: | |
| Doors included | Yes | Number of Doors | 2 | Finished Back | YES | Hardware finish | brushed nickel | Assembly | yes | QUANTITY: | |
| Countertop included | Yes | Countertop material | Marble | Number of Sinks accommodated | 1 | Sink material | Porcelain | Sink Width | 15-3/8" | DATE: | |
| Sink Depth | 12-3/8" | Sink height | 7 | Sink hole size | 1.75 | Mounting type | free-standing | Backsplash | No | CHECKED BY: | |
| Backsplash Width | N/A | Backsplash Depth | N/A | Backsplash Height | N/A | Drain assembly included | NO | Faucet included | NO | FOR PROPOSAL ONLY ALL DIMENSIONS TO BE VERIFIED | |
| Faucet type | NO | Faucet hole size | 1.5 | Faucet hole spacing | 8"3 Holes | Product Width | 24 | Product Depth | 22 | | PROJECT: |
| Product Height | 35 | Package LENGTH (inches) | 28.0 | Packaged WIDTH (inches) | 26.0 | Packaged Height (inches) | 35.00 | Package Weight (lbs) | 112.00 | | COLOR: |
| Product Weight | 99.00 | Shipment Type | small parcel | Table/Desk: top width | 22" | Table/Desk top finish | Carrara White | glass top tempered | N/A | | FINISH: |
| table top maximum weight | 70 lbs | Table:seating capacity | 1 | upholstery color | N/A | upholstery pattern | N/A | cushion material | N/A | | REVISIONS |
| base finish | light green | powder coated finish | NO | base material | MDF | top material | Marble | wood species | Birch | | <input type="checkbox"/> |
| tip over restraint strap | NO | shape of top | Rectangle | lift top | NO | shelf material | N/A | adjustable shelves | N/A | <input type="checkbox"/> | |
| Drawer Handle designs | Knobs | safety stop | YES | felt lined drawers | NO | drawer glide extension | Full extension | drawer glide material | Metal | <input type="checkbox"/> | |
| drawer dividers | N/A | Drawer Interior finish | light green | Ball Bearing Glides | N/A | soft close drawer glides | yes | Number of cabinets | 1 | <input type="checkbox"/> | |
| shelf width (in) | N/A | shelf depth (in) | N/A | shelf height (in) | N/A | Shelf thickness | N/A | Any certification (CARB/TSCA VI) ? | Yes | <input type="checkbox"/> | |
| California Proposition 65 warning required | YES | Drawer Interior Width (in) | 15 | Drawer Interior Depth (in) | 13.75 | Drawers Interior Height (in) | 5.25 | cabinet interior width | 17.75" | <input type="checkbox"/> | |
| cabinet interior depth | 20.5" | cabinet interior height | 20" | leg width | 3-1/8" | leg depth | 3-1/8" | leg height | 4-1/2" | <input type="checkbox"/> | |
| gloss finish | No | stackable | NO | leg design | Round legs | Armoires: ring slots | N/A | Armoires: hooks | N/A | <input type="checkbox"/> | |
| armoires: mirror dimensions | N/A | door thickness | 1/2" | false drawers? | NO | vanity countertop edge style | Straight | # of faucet holes | 3 | <input type="checkbox"/> | |

ELEGANT
FURNITURE & LIGHTING™
500-550 E. Erie Avenue
Philadelphia PA 19134
1-888-388-3390