

LIVING DISTRICT

Collection: Resolute

Installation manual for:

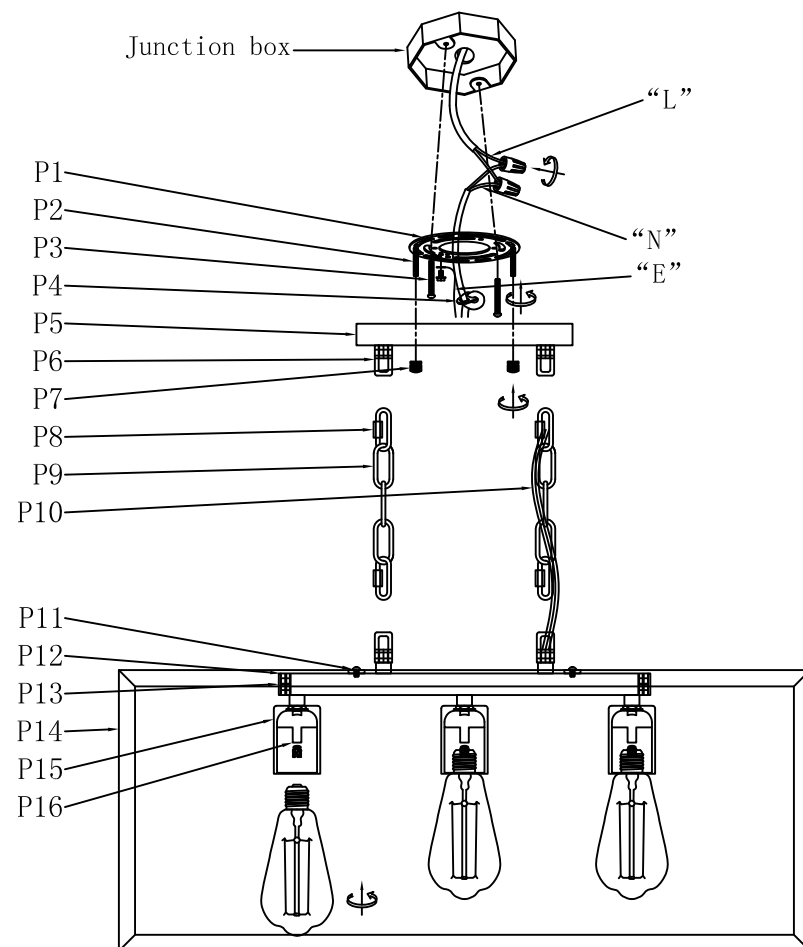
LD4063D25 L25.2"W9.4"H11.6"L3

Installation instructions:

1. Using the screw (P3) secure the mounting bracket (P1) to the junction box.
2. Connect the chain (P9) to canopy plate (P5) then hanging the lamp body.
3. Power cord pass through the chain (P9), canopy plate (P5) and clasp (P4).
4. Black wire from ceiling (junction box) attaches to "L" wire from the fixture.
5. White wire from ceiling (junction box) attaches to "N" wire from the fixture.
6. "E" wire from the fixture is attached to the mounting bracket and an additional "E" wire from the mounting bracket must be secured to the junction box.
7. M4 screw (P2) pass through the holes in canopy plate and tighten by nut (P7).
8. Install the bulb (not included) in lamp holder (P16).

The end!

PARTS LIST



"L" = Hot wire
 "N" = Neutral wire
 "E" = Ground wire

| part | picture | Description | Qty | Check list |
|------|---------|---------------------------------|-----|------------|
| P1 | | Ø4.0" Mounting bracket | 1 | |
| P2 | | M4 Screw | 2 | |
| P3 | | 5/32-32 Screw | 2 | |
| P4 | | Clasp | 1 | |
| P5 | | L11.8" Canopy plat | 1 | |
| P6 | | Loop | 4 | |
| P7 | | Nut | 2 | |
| P8 | | Quick link | 4 | |
| P9 | | L59"CHAIN04 | 2 | |
| P10 | | Power Cord 6.5' SPT-1 18# black | 1 | |
| P11 | | M4 Screw | 2 | |
| P12 | | L13.4"Metal arm | 1 | |
| P13 | | 0.8"*0.8" Sealing cover | 2 | |
| P14 | | L25.2"Lampshade | 1 | |
| P15 | | E26 Lamp cup | 3 | |
| P16 | | E26 Lamp holder | 3 | |