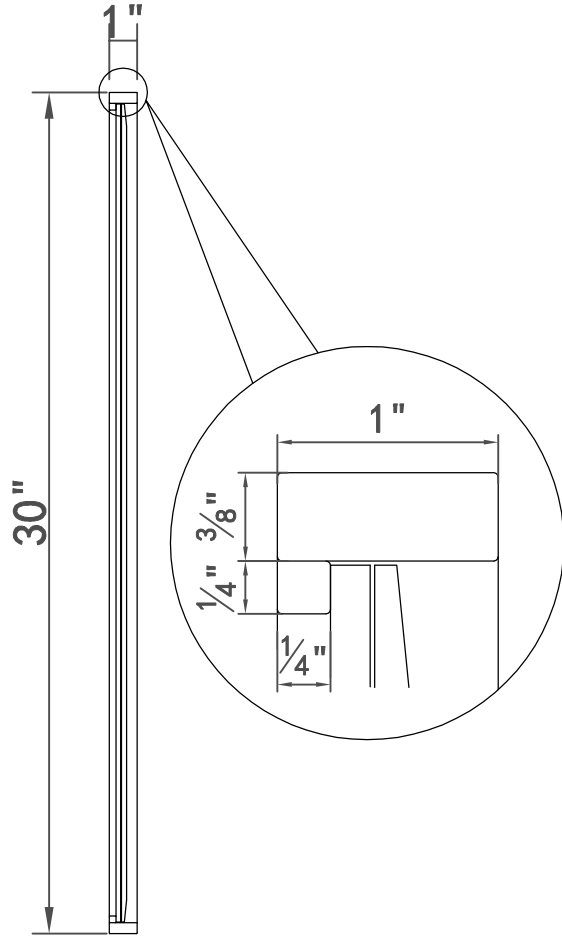




Front view



Side view

DWG. NO.	
MODEL NO:	MR4630BR
SPEC NO:	
QUANTITY:	
DATE:	
CHECKED BY:	
FOR PROPOSAL ONLY ALL DIMENSIONS TO BE VERIFIED	
PROJECT:	
COLOR:	
FINISH:	
REVISIONS	
①	
②	
③	
④	
⑤	
⑥	
	
500-550 E. Erie Avenue	
Philadelphia PA 19134	
1-888-388-3390	

Mdel #	Product Type	Style	Product Width (in)	Product Depth (in)	Product Height (in)	Mirror Width	Mirror Depth
MR4630BR	Mirror	Contemporary	40	1	30	39.25"	0.16"
Mirror Height	Frame shape	Orientation	Frame finish	Frame material	Mbunting / attachment type	Number of brackets	Beveled glass
29.625"	Oval	Vertical and Horizontal	Brass	Metal and MDF	Metal Inset hanger	2	Yes
Frameless	Package LENGTH	Packaged WIDTH	Packaged HEIGHT	Package Weight	Product weight	Shipment Type	
No	44.75	35.25	4.5	57.64	31.24	Small Parcel	

DWG. NO.	
MODEL NO: MR4630BR	
SPEC NO:	
QUANTITY:	
DATE:	
CHECKED BY:	
FOR PROPOSAL ONLY ALL DIMENSIONS TO BE VERIFIED	
PROJECT:	
COLOR:	
FINISH:	
REVISIONS	
①	
②	
③	
④	
⑤	
⑥	
 ELEGANT FURNITURE & LIGHTING™	
500-550 E. Erie Avenue Philadelphia PA 19134 1-888-388-3390	