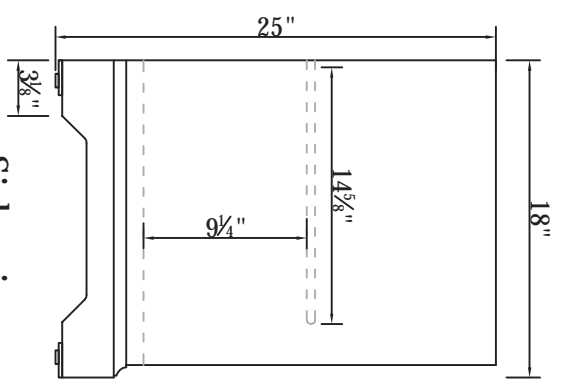
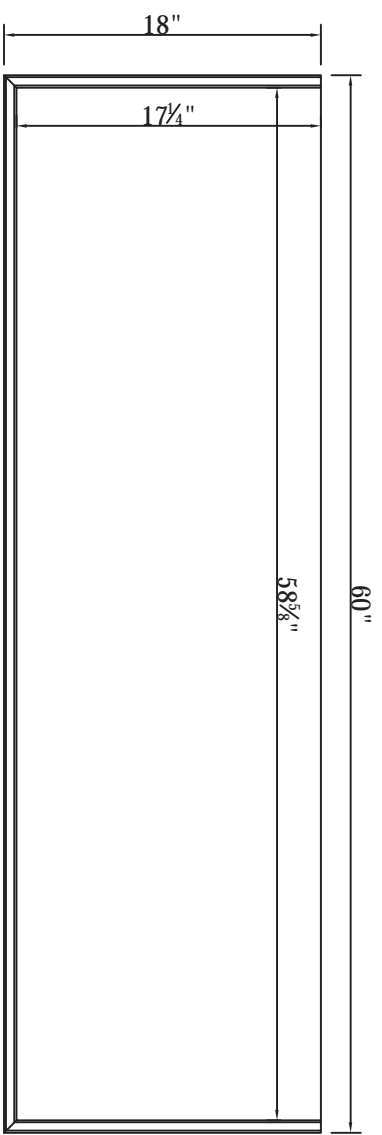


Front view



Side view



Top view

DWG. NO.

MODEL NO:
MF801WH

SPEC NO:

QUANTITY:

DATE:

CHECKED BY:

FOR PROPOSAL ONLY ALL
DIMENSIONS TO BE VERIFIED

PROJECT:

COLOR:

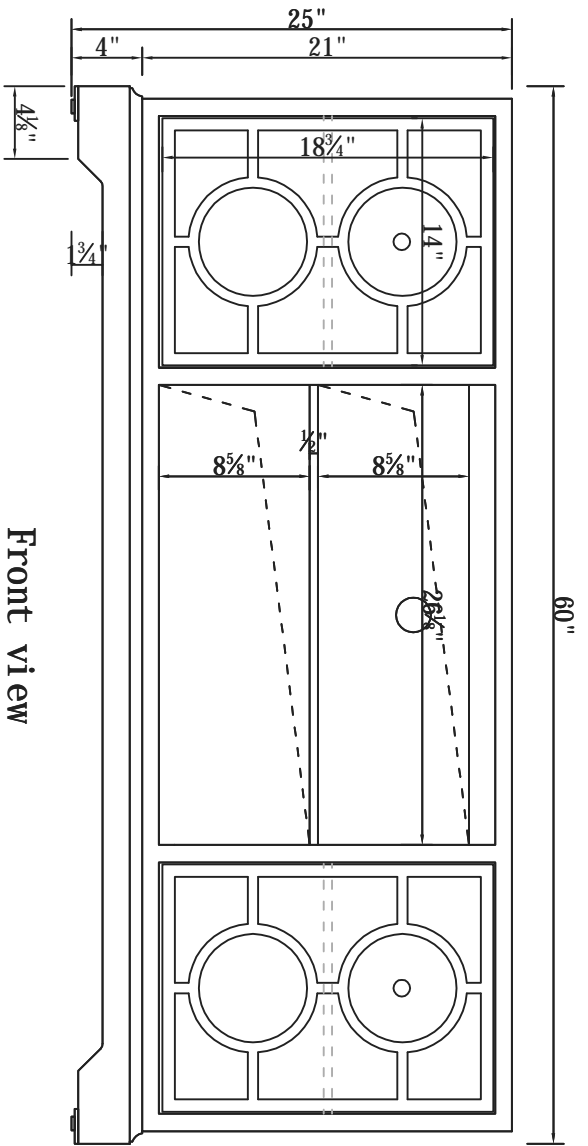
FINISH:

REVISIONS

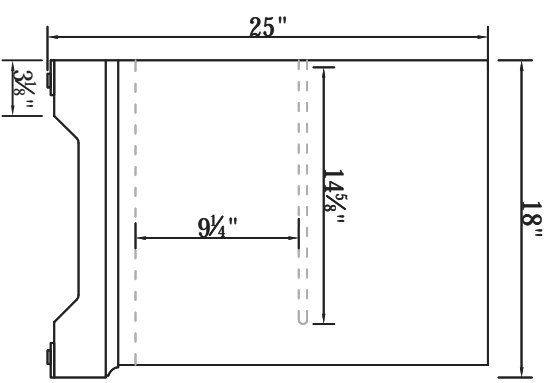
1	
2	
3	
4	
5	
6	



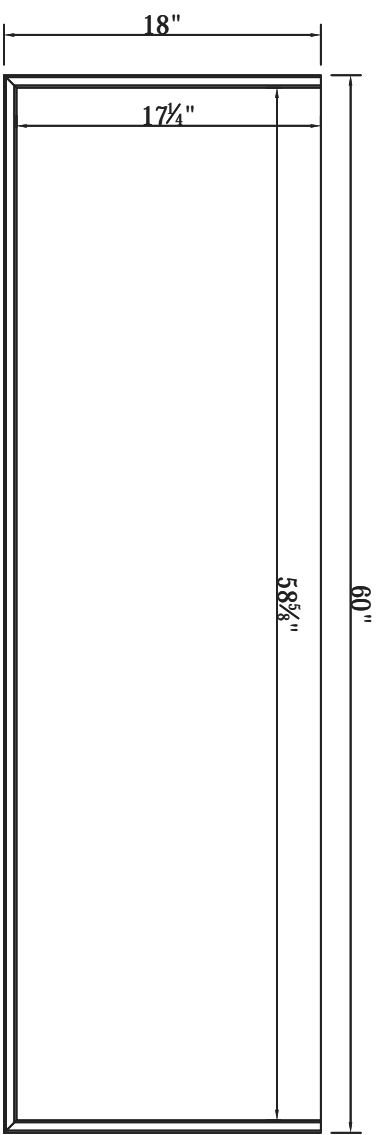
500-550 E. Erie Avenue
Philadelphia PA 19134
1-888-388-3390



Front view



Side view



Top view

DWG. NO.

MODEL NO:

MF801WH

SPEC NO:

QUANTITY:

DATE:

CHECKED BY:

FOR PROPOSAL ONLY ALL DIMENSIONS TO BE VERIFIED

PROJECT:

COLOR:

FINISH:

REVISIONS

1	
2	
3	
4	
5	
6	



500-550 E. Erie Avenue

Philadelphia PA 19134

1-888-388-3390

Model #	MF801WH	Finish	White	Hand Painted	Yes	gloss finish	NO	Error type	Clear mirror
Beveled glass	Yes	Frame material	Solid wood and MDF	Solid wood construction	Solid wood legs	wood species	Rubberwood	base material	MDF
base finish	White	powder coated finish	NO	Finished Back	Yes	Hardware finish	Crystal	top material	Mirror
Drawers Included	NO	Number of Drawers	0	Joinery Type	N/A	Drawer railing	N/A	Drawer Width	N/A
Drawer Depth	N/A	Drawer Height	N/A	Drawer Handle designs	knobs	felt lined drawers	N/A	drawer glide extension	N/A
drawer glide material	N/A	drawer dividers	N/A	Drawer Interior finish	N/A	Ball Bearing Glides	N/A	soft close drawer glides	N/A
Drawer Interior Width	N/A	Drawer Interior Depth	N/A	Drawer Interior Height	N/A	false drawers?	N/A	safety stop	N/A
Shelves ?	yes	Number of Shelves	3	shelf material	MDF	adjustable shelves	Yes	shelf width	SHF1: 26-1/8", SHF2: 14", SHF3: 14"
shelf depth	SHF1: 14-5/8", SHF2: 14-5/8", SHF3: 14-5/8"	shelf height	SHF1: 9-1/4", SHF2: 9-1/4", SHF3: 9-1/4"	Shelf thickness	1/2"	Doors included	YES	Number of Doors	2
door thickness	7/8"	Number of cabinets	3	cabinet interior width	26-1/8" & 14" & 14"	cabinet interior depth	14-5/8" & 14-5/8" & 14-5/8"	cabinet interior height	18-3/4" & 18-3/4" & 18-3/4"
table top width	18"	table top finish	White	glass top tempered	no	table top maximum weight	66LBS	Table: seating capacity	1
upholstery color	N/A	upholstery pattern	N/A	cushion material	N/A	maximum weight capacity of seat	N/A	shape of top	Rectangle
leg width	4-1/8"	leg depth	3-1/8"	leg height	4"	leg design	Square legs	Armories: ring slots tip over restraint strap	"N/A"
Armories: hooks	N/A	Armories: lift top	N/A	Armories: mirror dimensions	N/A	stackable	NO		N/A
Any certification?	CARB	California Proposition 65 warning required	YES	Assembly required?	NO	Shipping Type	LTL	Product Width (in)	60
Product Depth (in) Packaged 1 HEIGHT	18	Product Height (in) Package 1	25	Product Weight (lbs)	116.16	Package 1 LENGTH	63.5	Packaged 1 WIDTH	21.5

DWG. NO.

MODEL NO:
MF801WH

SPEC NO:

QUANTITY:

DATE:

CHECKED BY:

FOR PROPOSAL ONLY ALL DIMENSIONS TO BE VERIFIED

PROJECT:

COLOR:

FINISH:

REVISIONS

1	
2	
3	
4	
5	
6	

 **ELEGANT**
FURNITURE & LIGHTING™

500-550 E. Erie Avenue

Philadelphia PA 19134

1-888-388-3390