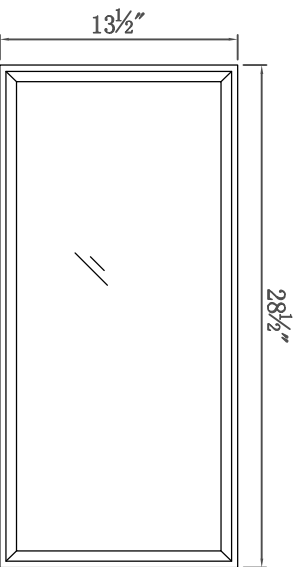
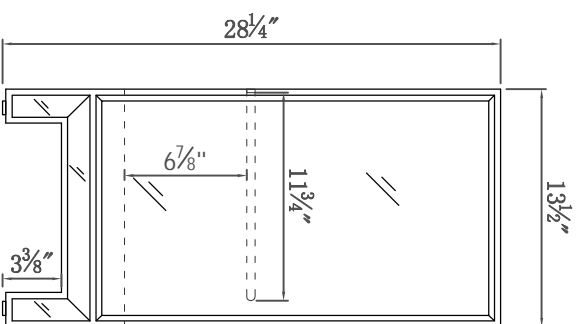


Front view



Top view



Side view

DWG. NO.

MODEL NO:

ME71034S

SPEC NO:

QUANTITY:

DATE:

CHECKED BY:

FOR PROPOSAL ONLY ALL DIMENSIONS TO BE VERIFIED

PROJECT:

COLOR:

FINISH:

REVISIONS

| | |
|---|--|
| 1 | |
| 2 | |
| 3 | |
| 4 | |
| 5 | |
| 6 | |



500-550 E. Erie Avenue
 Philadelphia PA 19134
 1-888-388-3390

| | | | | | | | | | |
|-----------------------------|----------------|--|--------------------|--------------------------------------|---------------------------------|---------------|---|-------------|--------------|
| Model # | MF71034S | Finish | Antique silver | Hand Painted Solid wood construction | Yes | gloss finish | NO | Mirror type | Clear mirror |
| Beveled glass | Yes | Frame material | Solid wood and MDF | Solid wood legs | wood species | Rubberwood | Mirror base material | MDF | |
| base finish | Antique silver | powder coated finish | NO | Finished Back | Hardware finish | Crystal | top material | Mirror | |
| Drawers Included | yes | Number of Drawers | 1 | Joinery Type | SQUARE ENDED BUTT JOINT | Wood | Drawer Width | 24-3/8" | |
| Drawer Depth | 14" | Drawer Height | 4-7/8" | Drawer Handle designs | felt lined drawers | N/A | drawer glide extension | N/A | |
| drawer glide material | N/A | drawer dividers | NO | Drawer Interior finish | Ball Bearing Glides | NO | soft close drawer glides | NO | |
| Drawer Interior Width | 23-7/8" | Drawer Interior Depth | 13-1/2" | Drawers Interior Height | false drawers? | NO | safety stop | yes | |
| Shelves ? | yes | Number of Shelves | 1 | Shelf material | adjustable shelves | Yes | shelf width | 24-1/2" | |
| shelf depth | 11-3/4" | shelf height | 6-7/8" | Shelf thickness | Doors included | YES | Number of Doors | 2 | |
| door thickness | 7/8" | Number of cabinets | 1 | cabinet interior width | interior depth | 11-3/4" | interior height | 14-1/8" | |
| table top width | 13.5" | table top finish | Clear | glass top tempered | table top maximum weight | 33LBS | Table: seating capacity | 1 | |
| upholstery color | N/A | upholstery pattern | N/A | cushion material | maximum weight capacity of seat | N/A | shape of top | Rectangle | |
| leg width | 2" | leg depth | 2" | leg height | leg design | Straight legs | Armories: ring slots tip over restraint strap | "N/A" | |
| Armories: hooks | N/A | Armories: li ft top | N/A | Armories: dimensions | stackable | NO | | N/A | |
| Any certification? | CARB | California Proposition 65 warning required | YES | Assembly required? | Shipping Type | LTL | Product Width (in) | 28.5 | |
| Product Depth (in) Packaged | 13.5 | Product Height (in) Package 1 | 28.25 | Product Weight (lbs) | Package 1 LENGTH | 32 | Product Width (in) Packaged 1 WIDTH | 17 | |
| HEIGHT | 33.5 | Weight (lbs) | 63 | | | | | | |

DWG. NO.

MODEL NO:

MF71034S

SPEC NO:

QUANTITY:

DATE:

CHECKED BY:

FOR PROPOSAL ONLY ALL DIMENSIONS TO BE VERIFIED

PROJECT:

COLOR:

FINISH:

REVISIONS

| | |
|---|--|
| 1 | |
| 2 | |
| 3 | |
| 4 | |
| 5 | |
| 6 | |



500-550 E. Erie Avenue

Philadelphia PA 19134

1-888-388-3390