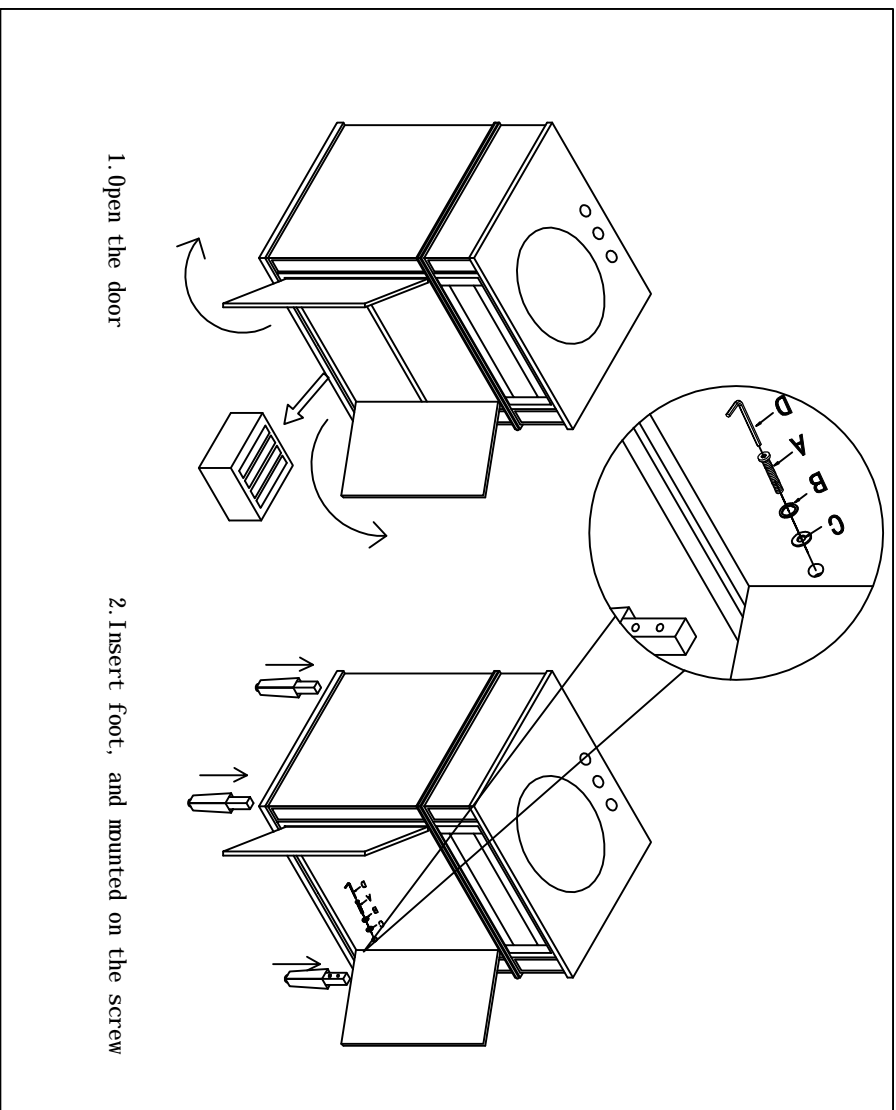





ASSEMBLY INSTRUCTION

ITEM#: VF12524



HARDWARE LIST			
NO	FIGURE	DESCRIPTION	QUANTITY
A		BIGGER HEX BOLT	8
B		SPRING WASHER	8
C		FLAT WASHER	8
D		ALLEN KEY	1

